

2008

Linhof

Linhof



LINHOF PRÄZISIONS-SYSTEMTECHNIK GMBH

PRICE/PRODUCT LISTING 2008/09

VALID AS OF MAY 01, 2008

<u>LINHOF M 679cs SYSTEM</u>	<u>3</u>
<u>LENSES FOR M 679</u>	<u>4</u>
<u>DIGITAL LENSES FOR M 679 (SCHNEIDER)</u>	<u>5</u>
<u>DIGITAL LENSES FOR M 679 (RODENSTOCK)</u>	<u>6</u>
<u>TECHNIKA DROPBED VIEW CAMERAS</u>	<u>7</u>
<u>TECHNIKARDAN FIELD CAMERAS</u>	<u>8</u>
<u>KARDAN MONORAIL CAMERAS – RE, GT</u>	<u>9</u>
<u>KARDAN MASTER GTL</u>	<u>9</u>
<u>TECHNORAMA 612pc II</u>	<u>10</u>
<u>TECHNORAMA 617s III</u>	<u>11</u>
<u>ACCESSORIES</u>	<u>12</u>
<u>ACCESSORIES, FILTER</u>	<u>13</u>
<u>LENSES + RECOMMENDED LENSBOARDS</u>	<u>14</u>
<u>MAKRO LENSES</u>	<u>14</u>
<u>LENSBOARDS, ACCESSORIES</u>	<u>15</u>
<u>SHUTTER SYSTEMS</u>	<u>16</u>
<u>TRIPOD HEADS</u>	<u>16</u>
<u>PROFESSIONAL TRIPODS</u>	<u>17</u>
<u>REPRO SYSTEMS</u>	<u>18</u>
<u>MASTER DIGI REPRO-SYSTEM</u>	<u>19</u>
<u>CATALOG NUMBERS AND PRICE</u>	<u>20</u>
<u>LINHOF BOOKS</u>	<u>26</u>
<u>LINHOF SHOP</u>	<u>27</u>
<u>LINHOF OPTISCHE SYSTEMTECHNIK</u>	<u>28</u>
<u>LINHOF TECHNOLOGIES</u>	<u>29</u>
<u>DELIVERY AND PAYMENT TERMS</u>	<u>30</u>



LINHOF M 679cs SYSTEM

Fully adjustable medium format camera up to format 6x9 cm for adaption of digital backs and different medium format rollfilm magazines. LINHOF M 679cs incl. bellows, front and rear standard, with integrated benchholder with stepless lateral levelling, without lens and back

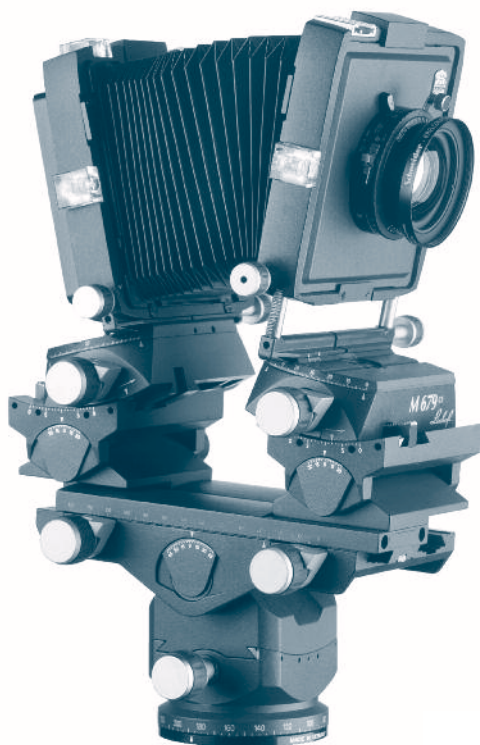
M 679 Groundglass back	001698-S	399,-
Groundglass scoring 3x3*	021833-S	50,-
Groundglass scoring 6x6*	021834-S	50,-
Groundglass scoring 6x7*	021835-S	50,-
Groundglass scoring 6x8*	021836-S	50,-
Groundglass scoring 6x9*	021842-S	50,-
Groundglass scoring 24x36 / 36x63*	021837-S	50,-
Groundglass scoring 37x37 / 37x71*	021838-S	50,-
Groundglass scoring 37x49 / 49x71*	021840-S	50,-
Groundglass scoring 33x44*	021841-S	50,-
Groundglass 37x49 / 37x37 Acute	021843-S	482,-
Groundglass 33x44 Acute	021844-S	482,-
Groundglass scoring 72x88 (Anagramm)	021839	50,-
Fresnel Screen M 679	002523	92,-
Format dial 6x7 M 679cs for format 6x6 - 6x8 (included in camera price M 679cs)	003905	33,-
Format dial 3x3 M 679cs	003906	33,-
Format dial 6x9 M 679cs	003907	33,-
Format dial 24x36 M 679cs	003908	33,-
Format dial 33x44 M 679cs	003909	33,-
Format dial 36x48 M 679cs	003910	33,-
Format dial for format 6x6 - 6x8 M 679cc	003901	33,-
Format dial 3x3 M 679cc	003902	33,-
Format dial 6x9 M 679cc	003903	33,-
Basic Lighthood M 679*	002763-S	273,-
Magnifier Viewing System 8x8 for Basic Lighthood	002757	344,-
ADAPTER		
M 679 Adapter for Hasselblad backs	001694	341,-
M 679 Adapter for Mamiya RZ backs	001696	224,-
Adapter for Anagramm Scanning back	064924	454,-
Multi Adapter for Mamiya RB, Mamiya 6x8 motor cassette, Linhof Rapid Rollex 6x7, Horseman 6x7/6x8/6x9	001695	411,-
Universal Adapter for camera adapter plates	001697	317,-
Groundglass Silvestri 6x9	S-24011	187,-
Focusing Bellows with Magnifier /Silvestri 6x9	S-25010	224,-

Right Angle Attachment / Silvestri 6x9	S-25030	467,-
Polaroid Back M 679	001692	upon request
Universal Rapid Change Adapter Slide M 679 24x36 / 36x63	002765-S	1.337,-
Universal Rapid Change Adapter Slide M 679 - 37x37 / 37x71 and 37x49 / 49x71	002766-S	1.337,-
Adapter plate for Hasselblad V	001700	400,-
Adapter plate for Hasselblad H 1 AF	001701	400,-
Adapter plate for Mamiya 645 AF / AFD	001702	400,-
Adapter plate for Contax 645	001703	400,-
Flexible shafts for M 679cs shift (2 pcs.)	002769	61,-
Wide Angle Bellows M 679	002754	320,-
Normal Bellows M 679 (spare)	002753	217,-
Basic Compendium Lensshade M 679 incl. Filter Holder	001939	627,-
Pro Compendium M 679 incl. Filter Holder and Vignetting Mask Holder	001940	878,-
Filter Holder M 679 M105x1 and 10x10 cm	001941	336,-
Vignetting Mask Holder M 679	001942	325,-
Flat Lensboard M 679 size 0	001160	83,-
Flat Lensboard M 679 size 1	001161	83,-
Flat Lensboard M 679 size 3	001173	83,-
Recessed Lensboard M 679, size 0	001163	118,-
Recessed Lensboard M 679, size 1 / Rollei Shutter.	001164	135,-
Double Recessed Lensboard M 679 size 0	001176	149,-
Double Rec. Lensboard M 679, size 1 / Rollei Shutter	001174	164,-
3x Recessed Lensboard M 679, size 0	001175	155,-
3x Recessed Lensboard M 679, size 1 / Rollei Shutter	001177	171,-
4x Recessed Lensboard M 679, size 0 for Apo-Digital XL 5,6/35, Copal 0	001178	221,-
Lensboard Adapter M 679 / Technika 45 lensboard	001100	272,-
Adapter Linhof Kardan for M 679	001101	282,-
Adapter Sinar / Horseman for M 679	001102	282,-
Adapter Cambo for M 679	001103	282,-
Adapter plate for Hasselblad Finder	001104	168,-
Adapter plate for Acra Swiss Bino Tube on M 679*	001105-S	236,-
Systainer M 679	022491	115,-
Systainer II M 679 for Accessories	022492	168,-
Operating Manual M 679 German	025104	5,-
Operating Manual M 679 English	025105	5,-

* For the former Groundglass Back and Rapid Change Adapter Slides the same code numbers apply, however, without the added "S".

LINHOF M 679cs

The Linhof M 679 has now been modified to become model M 679cs without changing the complete compatibility. With this compact Linhof view camera system every advanced photographer is free to select the commonly used digital backs as well as backs for 6x6 to 6x9 cm. The Linhof M 679cs is now offering micro drives for lateral and horizontal shifts at the lens standard. The integrated panorama bench holder now features a stepless lateral levelling of 10° each left and right by means of self-aligning micro drives.



ORDERING INFORMATION

for Basic Equipment System M 679cs

LINHOF M 679 cs incl. bellows, front and rear standard, with integrated bench holder, without lens and back	000117	4.625,-
+ M 679 Groundglass back	001698-S	399,-
+ Groundglass scoring according to required format		
+ Adapter according to required rollfilm cassette or digital back		
+ Rapid Change Adapter Slide		
+ Accessories for imaging control		
+ Lenses on lensboards with shutter system (Copal or electronic)		
+ Wide Angle Bellows M 679 (recommended bellow 100 mm focus length)		
+ Filter Holder / Compendium		
+ Rollfilm backs, Polaroid back		
+ Systainer	022491	115,-

PROFESSIONAL NET PRICES IN € WITHOUT VAT

LENSES FOR M 679

Optimized for Camera Movements. Matching lensboards to be ordered.

Lens Type /M 679	Aperture / Focal Length	Shutter Type / Size	Code No.	Net Price Lens and Shutter	Front Mount Diameter /	Image Circle Filter Thread (mm)	Lensboard M 679 (mm)	Net-Price Lensboard
Apo-Grandagon	4,5 / 35	Copal 0	000931	1.221,-	70 / 67	125	001175	155,-
Apo-Grandagon	4,5 / 35	Rollei 0	000458	2.160,-	70 / 67	125	001177	171,-
Super-Angulon XL	5,6 / 38	Copal 0	000602	1.488,-	75 / 72	125	001163	118,-
Super-Angulon XL	5,6 / 38	Rollei 0	000479	2.330,-	75 / 72	125	001164	135,-
Apo-Grandagon	4,5 / 45	Copal 0	000895	1.090,-	60 / 58	131	001163	115,-
Apo-Grandagon	4,5 / 45	Rollei 0	000476	2.029,-	60 / 58	131	001164	135,-
Super-Angulon XL	5,6 / 47	Copal 0	000897	1.428,-	70 / 67	166	001163	118,-
Super-Angulon XL	5,6 / 47	Rollei 0	000478	2.270,-	70 / 67	166	001164	135,-
Apo-Grandagon	4,5 / 55	Copal 0	000899	1.137,-	70 / 67	163	001160	83,-
Apo-Grandagon	4,5 / 55	Rollei 0	000480	2.076,-	70 / 67	163	001161	83,-
Super-Angulon XL	5,6 / 58	Copal 0	000868	1.183,-	70 / 67	166	001160	83,-
Super-Angulon XL	5,6 / 58	Rollei 0	000481	2.025,-	70 / 67	166	001161	83,-
Grandagon N	4,5 / 65	Copal 0	000830	1.217,-	60 / 58	170	001160	83,-
Grandagon N	4,5 / 65	Rollei 0	000485	2.156,-	60 / 58	170	001161	83,-
Makro-Symmar HM	5,6 / 80	Copal 0	000903	990,-	42 / 40,5	160	001160	83,-
Makro-Symmar HM	5,6 / 80	Rollei 0	000489	1.832,-	42 / 40,5	160	001161	83,-
Super-Symmar XL Asph.	4,5 / 80	Copal 0	000600	1.575,-	70 / 67	211	001160	83,-
Super-Symmar XL Asph.	4,5 / 80	Rollei 0	000488	2.417,-	70 / 67	211	001161	83,-
Apo-Sironar S	5,6 / 100	Copal 0	000861	641,-	41 / 49	155	001160	83,-
Super-Symmar XL	5,6 / 110	Copal 1	000923	1.569,-	70 / 67	288	001161	83,-
Super-Symmar XL	5,6 / 110	Rollei 1	000497	2.333,-	70 / 67	288	001161	83,-
Apo-Symmar L	5,6 / 120	Copal 0	000633	743,-	54 / 52	189	001160	83,-
Apo-Symmar L	5,6 / 120	Rollei 0	000420	1.585,-	54 / 52	189	001161	83,-
Makro-Symmar HM	5,6 / 120	Copal 0	000848	1.186,-	42 / 40,5	251	001160	83,-
Makro-Symmar HM	5,6 / 120	Rollei 0	000475	2.028,-	42 / 40,5	251	001161	83,-
Apo-Macro-Sironar	5,6 / 120	Copal 0	000921	859,-	51 / 49	277	001160	83,-
Apo-Macro-Sironar	5,6 / 120	Rollei 0	000448	1.798,-	51 / 49	277	001161	83,-
Apo-Sironar S	5,6 / 135	Copal 0	000874	749,-	51 / 49	208	001160	83,-
Apo-Sironar S	5,6 / 135	Rollei 0	000477	1.688,-	51 / 49	208	001161	83,-
Apo-Symmar L	5,6 / 150	Copal 0	000641	797,-	60 / 58	233	001160	83,-
Apo-Symmar L	5,6 / 150	Rollei 0	000440	1.693,-	60 / 58	233	001161	83,-
Apo-Sironar S	5,6 / 150	Copal 0	000876	772,-	51 / 49	231	001160	83,-
Apo-Sironar S	5,6 / 150	Rollei 0	000494	1.711,-	51 / 49	231	001161	83,-
Apo-Sironar N	5,6 / 150	Copal 0	000700	582,-	51 / 49	214	001160	83,-
Apo-Sironar N	5,6 / 150	Rollei 0	000496	1.521,-	51 / 49	214	001161	83,-
Apo-Sironar S	5,6 / 180	Copal 1	000878	1.004,-	70 / 67	276	001161	83,-
Apo-Sironar S	5,6 / 180	Rollei 1	000443	1.884,-	70 / 67	276	001161	83,-
Apo-Symmar L	5,6 / 180	Copal 1	000643	1.015,-	75 / 72	277	001161	83,-
Apo-Symmar L	5,6 / 180	Rollei 1	000441	1.779,-	75 / 72	277	001161	83,-
Makro-Symmar HM	5,6 / 180	Copal 1	000850	1.414,-	60 / 58	375	001161	83,-
Makro-Symmar HM	5,6 / 180	Rollei 1	000442	2.178,-	60 / 58	375	001161	83,-
Apo-Macro-Sironar	5,6 / 180	Copal 1	000905	1.148,-	70 / 67	415	001161	83,-
Apo-Macro-Sironar	5,6 / 180	Rollei 1	000444	2.028,-	70 / 67	415	001161	83,-
Apo-Sironar N	5,6 / 210	Copal 1	000702	881,-	70 / 67	301	001161	83,-
Apo-Sironar N	5,6 / 210	Rollei 1	000445	1.761,-	70 / 67	301	001161	83,-
Apo-Sironar S	5,6 / 210	Copal 1	000880	1.090,-	75 / 72	316	001161	83,-
Apo-Sironar S	5,6 / 210	Rollei 1	000446	1.970,-	75 / 72	316	001161	83,-
Apo-Symmar L	5,6 / 210	Copal 1	000646	1.099,-	80 / 77	321	001161	83,-
Apo-Symmar L	5,6 / 210	Rollei 1	000447	1.863,-	80 / 77	321	001161	83,-
Apo-Sironar S	5,6 / 240	Copal 3	000882	1.711,-	90 / 86	372	001173	83,-
Tele-Xenar	5,6 / 250	Copal 1	000969	1.197,-	86 / 82	190	001161	83,-

PROFESSIONAL NET PRICES IN € WITHOUT VAT

DIGITAL LENSES FOR M 679

SCHNEIDER

Optimized for digital photography. Mechanical Copal or electronic Rollei- or Schneider el. shutter. Matching lensboards to be ordered.

Lens Type /M 679	Aperture / Focal Length	Shutter Type / Size	Code No.	Net Price Lens and Shutter	Front Mount Diameter / Filter Thread (mm)	Image Circle (mm)	Lensboard M 679	Net Price Lensboard
Apo-Digitar XL Integral**	5,6 / 24	Schneider el.0	000524	2.703,-	54 / 52	60	incl.	incl.
Digitar L	2,8 / 28	Copal 0	000959	1.621,-	85 / 77	60	001160	83,-
Digitar L	2,8 / 28	Rollei 0	000459	2.463,-	85 / 77	60	001161	83,-
Digitar L	2,8 / 28	Schneider el.0	000559	2.373,-	85 / 77	60	001160	83,-
Apo-Digitar XL**	5,6 / 35	Copal 0	000537	1.999,-	54 / 52	90	001178	221,-
Apo-Digitar XL Integral**	5,6 / 35	Schneider el.0	000535	2.830,-	54 / 52	90	incl.	incl.
Apo-Digitar XL**	5,6 / 47	Copal 0	000960	1.139,-	54 / 52	113	001176	149,-
Apo-Digitar XL**	5,6 / 47	Rollei 0	000460	1.981,-	54 / 52	113	001174	164,-
Apo-Digitar XL**	5,6 / 47	Schneider el.0	000560	1.891,-	54 / 52	113	001176	149,-
Apo-Digitar N	4,0 / 60	Copal 0	000961	810,-	42 / 40,5	60	001176	149,-
Apo-Digitar N	4,0 / 60	Rollei 0	000461	1.652,-	42 / 40,5	60	001174	164,-
Apo-Digitar N	4,0 / 60	Schneider el.0	000561	1.562,-	42 / 40,5	60	001176	149,-
Apo-Digitar L	5,6 / 72	Copal 0	000958	1.213,-	43 / 40,5	90	001176	149,-
Apo-Digitar L	5,6 / 72	Rollei 1	000490	2.055,-	43 / 40,5	90	001174	164,-
Apo-Digitar L	5,6 / 72	Schneider el.0	000569	1.965,-	43 / 40,5	90	001176	149,-
Apo-Digitar L	4,0 / 80	Copal 0	000962	819,-	42 / 40,5	90	001163	118,-
Apo-Digitar L	4,0 / 80	Rollei 0	000462	1.661,-	42 / 40,5	90	001164	135,-
Apo-Digitar L	4,0 / 80	Schneider el.0	000562	1.571,-	42 / 40,5	90	001163	118,-
Apo-Digitar N	4,5 / 90	Copal 0	000964	726,-	42 / 40,5	100	001163	118,-
Apo-Digitar N	4,5 / 90	Rollei 0	000464	1.598,-	42 / 40,5	100	001164	135,-
Apo-Digitar N	4,5 / 90	Schneider el.0	000564	1.508,-	42 / 40,5	100	001163	118,-
Apo-Digitar N	5,6 / 100	Copal 0	000965	915,-	42 / 40,5	100	001160	83,-
Apo-Digitar N	5,6 / 100	Rollei 0	000465	1.794,-	42 / 40,5	100	001161	83,-
Apo-Digitar N	5,6 / 100	Schneider el.0	000565	1.704,-	42 / 40,5	100	001160	83,-
Apo-Digitar N	5,6 / 120	Copal 0	000966	850,-	42 / 40,5	110	001160	83,-
Apo-Digitar N	5,6 / 120	Rollei 0	000466	1.692,-	42 / 40,5	110	001161	83,-
Apo-Digitar N	5,6 / 120	Schneider el.0	000566	1.602,-	42 / 40,5	110	001160	83,-
Apo-Digitar N	5,6 / 150	Copal 0	000968	1.189,-	42 / 40,5	110	001160	83,-
Apo-Digitar N	5,6 / 150	Rollei 0	000468	2.031,-	42 / 40,5	110	001161	83,-
Apo-Digitar N	5,6 / 150	Schneider el.0	000568	1.941,-	42 / 40,5	110	001160	83,-
Apo-Digitar T	5,6 / 180	Copal 0	000974	1.204,-	58 / 55	120	001160	83,-
Apo-Digitar T	5,6 / 180	Rollei 0	000975	2.046,-	58 / 55	120	001161	83,-
Apo-Digitar T	5,6 / 180	Schneider el.0	000976	1.956,-	58 / 55	120	001160	83,-
Apo-Digitar T	5,6 / 210	Copal 1	000977	1.518,-	75 / 72	120	001161	83,-
Apo-Digitar T	5,6 / 210	Rollei 1	000978	2.282,-	75 / 72	120	001161	83,-
Apo-Digitar T	6,8 / 210	Schneider el.0	000979	2.192,-	75 / 72	120	001160	83,-
Apo-Digitar-Makro	5,6 / 80	Copal 0	000963	1.029,-	42 / 40,5	86	001163	118,-
Apo-Digitar-Makro	5,6 / 80	Rollei 0	000463	1.871,-	42 / 40,5	80	001164	135,-
Apo-Digitar-Makro	5,6 / 80	Schneider el.0	000563	1.781,-	42 / 40,5	80	001163	118,-
Apo-Digitar-Makro	5,6 / 120	Copal 0	000967	1.230,-	42 / 40,5	80	001160	83,-
Apo-Digitar-Makro	5,6 / 120	Rollei 0	000467	2.072,-	42 / 40,5	80	001161	83,-
Apo-Digitar-Makro	5,6 / 120	Schneider el.0	000567	1.982,-	42 / 40,5	80	001160	83,-

** Center filter see page 13

PROFESSIONAL NET PRICES IN € WITHOUT VAT

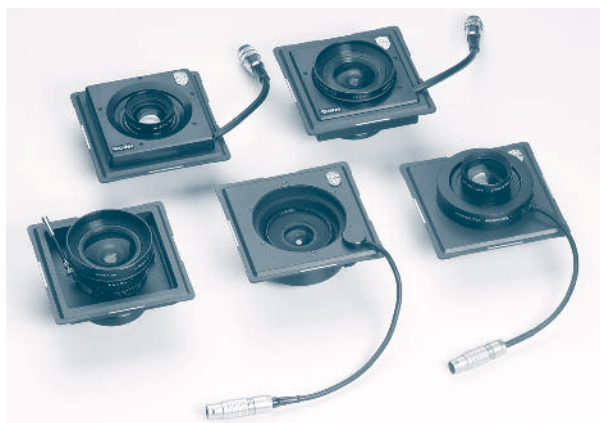
DIGITAL LENSES FOR M 679 LINOS / RODENSTOCK

Optimized for digital photography. Mechanical Copal or electronic Rollei shutter. Matching lensboards to be ordered.

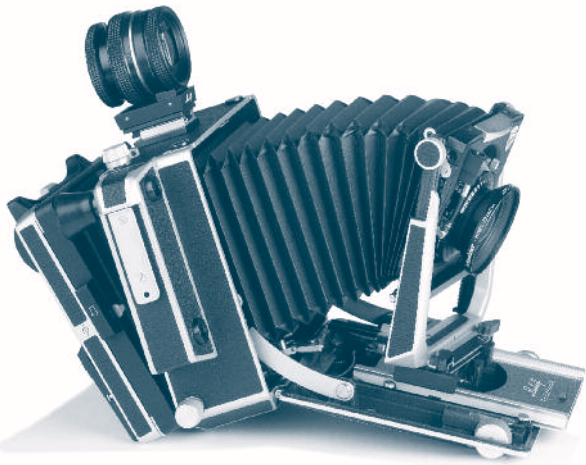
Lens Type / M 679	Aperture / Focal Length	Shutter Type / Size	Code No.	Net Price Lens and Shutter	Front Mount Diameter / Filter Thread (mm)	Image Circle (mm)	Lensboard M 679	Net Price Lensboard
Apo-Sironar-digital	4,5 / 35	Copal 0	000950	1.249,-	70 / 67	105	001175	155,-
Apo-Sironar-digital	4,5 / 35	Rollei 0	000450*	2.188,-	70 / 67	105	001177	171,-
Apo-Sironar-digital	4,5 / 45	Copal 0	000951	1.122,-	70 / 67	125	001176	149,-
Apo-Sironar-digital	4,5 / 45	Rollei 0	000451*	2.061,-	70 / 67	125	001174	164,-
Apo-Sironar-digital	4,5 / 55	Copal 0	000952	1.170,-	70 / 67	125	001160	83,-
Apo-Sironar-digital	4,5 / 55	Rollei 0	000452*	2.109,-	70 / 67	125	001161	83,-
Apo-Sironar-digital	5,6 / 70	Copal 0	000953	1.190,-	60 / 58	100	001160	83,-
Apo-Sironar-digital	5,6 / 70	Rollei 1	000469*	2.129,-	60 / 58	100	001161	83,-
Apo-Sironar-digital	5,6 / 90	Copal 0	000919	1.150,-	51 / 49	125	001160	83,-
Apo-Sironar-digital	5,6 / 90	Rollei 0	000419*	2.089,-	51 / 49	125	001161	83,-
Apo-Sironar-digital	5,6 / 105	Copal 0	000954	734,-	51 / 49	125	001160	83,-
Apo-Sironar-digital	5,6 / 105	Rollei 0	000454*	1.673,-	51 / 49	125	001161	83,-
Apo-Sironar-digital	5,6 / 135	Copal 0	000955	790,-	51 / 49	150	001160	83,-
Apo-Sironar-digital	5,6 / 135	Rollei 0	000455*	1.729,-	51 / 49	150	001161	83,-
Apo-Sironar-digital	5,6 / 150	Copal 0	000956	821,-	51 / 49	150	001160	83,-
Apo-Sironar-digital	5,6 / 150	Rollei 0	000456*	1.760,-	51 / 49	150	001161	83,-
Apo-Sironar-digital	5,6 / 180	Copal 0	000957	1.040,-	70 / 67	150	001160	83,-
Apo-Sironar-digital	5,6 / 180	Rollei 0	000457*	1.920,-	70 / 67	150	001161	83,-
Apo-Sironar-digital HR	4,5 / 28	Copal 0	000980*	3.816,-	75 / 72	70	001176	149,-
Apo-Sironar-digital HR	4,5 / 28	Rollei 0	000483*	4.745,-	75 / 72	70	001174	164,-
Apo-Sironar-digital HR	4,0 / 35	Copal 0	000972*	1.994,-	51 / 49	70	001175	155,-
Apo-Sironar-digital HR	4,0 / 35	Rollei 0	000472*	2.923,-	51 / 49	70	001177	171,-
Apo-Sironar-digital HR	4,0 / 60	Copal 0	000971*	1.531,-	51 / 49	70	001176	149,-
Apo-Sironar-digital HR	4,0 / 60	Rollei 0	000471*	2.459,-	51 / 49	70	001174	164,-
Apo-Sironar-digital HR	4,0 / 100	Copal 0	000973*	1.470,-	51 / 49	70	001160	83,-
Apo-Sironar-digital HR	4,0 / 100	Rollei 0	000473*	2.399,-	51 / 49	70	001161	83,-
Apo-Sironar-digital HR	5,6 / 180	Copal 0	000981*	2.040,-	70 / 67	80	001160	83,-
Apo-Sironar-digital HR	5,6 / 180	Rollei 0	000482*	2.979,-	70 / 67	80	001161	83,-
Apo-Macro-Sironar-digital	5,6 / 120	Copal 0	000970	898,-	51 / 49	150	001160	83,-
Apo-Macro-Sironar-digital	5,6 / 120	Rollei 0	000470*	1.837,-	51 / 49	150	001161	83,-

**Center filter see page 13

PROFESSIONAL NET PRICES IN € WITHOUT VAT



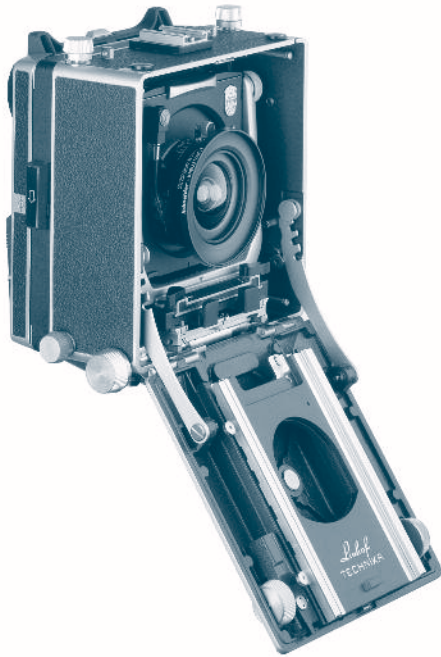
*Digital lenses from 24 to 210 mm
focal length with electronic and
mechanical shutter systems mounted
on Linhof M 679 lensboards.*



MASTER TECHNIKA classic

The classical tool of lasting value for the creative as well as the technical photographer who needs a reliable large format system that masters any assignment with professional efficiency.

The highly versatile dropped design in the format 4x5 in. offers full adjustment capabilities. Its unique combination of compact dimensions and extraordinary versatility makes it equally suitable for hand-held focused action shots and carefully composed studio subjects.



MASTER TECHNIKA 3000

The built-in wide angle focusing track can now comfortably be used by a turning knob which is placed at the outer right side of the camera body. For extremely short focal lengths 38, 47 and 58 mm one infinity stop is provided for all 3 focal lengths thanks to individual lens-board adjustments.

The baseboard can now be dropped to a forth notch enabling vertical images without vignetting.

ALUMINUM CASE MASTER TECHNIKA

Modified and covering more comfort in handling. The robust camera case protects the valuable Technika equipment at outdoor activity and also provides ideal features as a depository.



MASTER TECHNIKA classic

MASTER TECHNIKA 45, 4x5 in.

without lens	000054	4.851,-
Anatomical Grip 45, left, with 17 in. cable release	002549	295,-
Cable release 430 mm, T-lock + turning nipple (spare)	002430	23,-
Anatomical Grip, right	002552	295,-
Fresnel Screen 45	002522	111,-
Multifocus Optical Viewfinder 45M with mask 4x5"	001447	796,-
Further masks:		
9x12/ 001379, 4x5/ 001385, 6x12/ 001444,		
6x9/ 001381, 6x7/ 001382, 6x7 (Rapid-Rollex)/ 001448		each 72,-
Camera Neck Strap	022610	43,-

Lens Coupling - up to 3 lenses f 72 - 400 mm when ordered with camera, no charge.

Coupling cost MT 45 additional lenses, each	001716	124,-
Coupling cost MT 45, customer-owned lens (The camera with all previously coupled lenses has to be sent in.), each	001717	247,-
mm-Scale	101145	16,-
Compendium Lensshade Master Technika	001926	299,-
Compendium Filter Holder M 95x1/ 10x10 cm	001933	190,-
Vignetting Mask Holder for Compendium + 4 masks	001932	76,-
Hasselblad V Digi Adapter for Internat. Universal Back	001693	198,-
Groundglass Mask 45 / 24x36	001644	14,-
Groundglass Mask 45 / 37x37	001645	14,-
Groundglass Mask 45 / 4x5 cm	001646	14,-
Aluminum Case Master Technika (44x44x18 cm)	022457	494,-
König Universal-Photobag	022496	485,-

Recessed Technika lensboard with helical focusing mount for

- Super-Angulon XL 5,6 / 38	001036	505,-
- Super-Angulon XL 5,6 / 47	001037	505,-
- Super-Angulon XL 5,6 / 58	001038	505,-
Mounting of lenses in factory only.		

New:

MASTER TECHNIKA 3000

MASTER TECHNIKA 3000, 4x5 in.

without lens	000130	4.625,-
Anatomical Grip 45, left, with 17 in. cable release	002549	295,-
Fresnel Screen 45	002522	111,-
Camera Neck Strap	022610	43,-
Compendium Lensshade Master Technika	001926	299,-
Compendium Filter Holder M 95x1/ 10x10 cm	001933	190,-
Vignetting Mask Holder for Compendium + 4 masks	001932	76,-
Hasselblad V Digi Adapter for Internat. Universal Back	001693	198,-
Groundglass Mask 45 / 24x36	001644	14,-
Groundglass Mask 45 / 37x37	001645	14,-
Groundglass Mask 45 / 4x5 cm	001646	14,-

New:

Rapid Change Adapter Slide for Master Technika	001618	1.824,-
Aluminum Case Master Technika (44x44x18 cm)	022457	494,-
Universal-Photobag (König)	022496	485,-



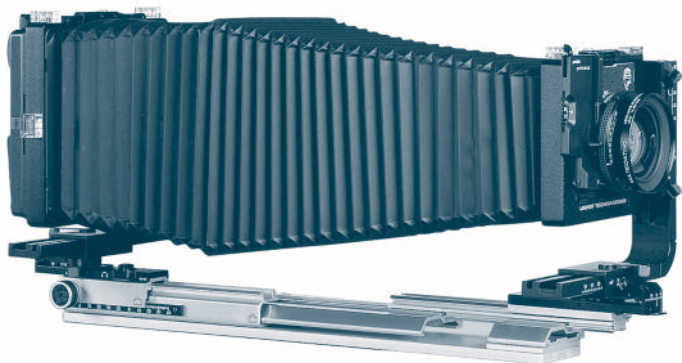
RAPID CHANGE ADAPTER SLIDE for all Master Technika bodies. The Rapid Change Adapter Slide increases the use of the Master Technika for digital imaging. The main digital features are now applicable with the Master Technika cameras.

PROFESSIONAL NET PRICES IN € WITHOUT VAT



TECHNIKARDAN S 23

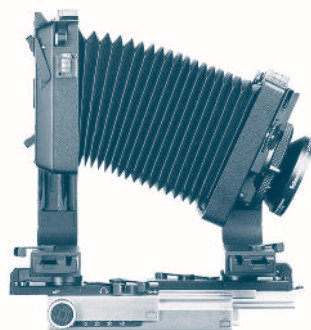
Lightweight, fully adjustable, minimum transportation volume, ideal for the Pro on the road. For photos on rollfilm with Linhof Rollex cassettes.



TECHNIKARDAN S 23

TECHNIKARDAN S 23, 2x3 in.

without lens	000107	3.005,-
Fresnel Screen 23	002566	92,-
Basic Lighthood 23	001611	350,-
Magnifier Viewing System 8x8 for Basic Lighthood	002757	344,-
Wide-Angle Bellows TK 23	002724	204,-
Compendium Lensshade TK	001931	299,-
Vignetting Mask Holder for Compendium + 4 masks	001932	76,-
Compendium Filter Holder M 95x1/ 10x10 cm	001933	190,-
Tele/Macro Bracket for TK 23	002740	174,-
Hasselblad V Digi-Adapter 23	001565	198,-
Groundglass Mask 23 / 24x36	001647	14,-
Groundglass Mask 23 / 37x37	001648	14,-
Groundglass Mask 23 / 4x5 cm	001649	14,-
Universal-Digi-Adapter 230 for Camera Adapter plates	001691	185,-
Adapter platte for Hasselblad V	001700	400,-
Adapter plate for Hasselblad H 1/H2	001701	400,-
Adapter plate for Mamiya 645 AF / AFD	001702	400,-
Adapter plate for Contax 645	001703	400,-
Aluminium Case TK	022481	366,-



Technikardan S 23 – fully adjustable camera system including professional shifts and tilts for all demands of applied photography.



The Technikardan S 23 combined with the Digi-Adapter plus a studio-independent digital back is the ideal camera system for professional outdoor photography.

TECHNIKARDAN S 45

TECHNIKARDAN S 45, 4x5 in.

without lens	000108	3.145,-
Fresnel Screen 45	002522	111,-
Wide-Angle Bellows TK 45	002723	357,-
Compendium Lensshade TK	001931	299,-
Vignetting Mask Holder for Comp. + 4 masks	001932	76,-
Compendium Filter Holder M 95x1/ 10x10 cm	001933	190,-
Tele/Macro Bracket for TK 45	002741	174,-
Hasselblad Digi Adapter V for Internat. Universal Back	001693	198,-
Groundglass Mask 45 / 24x36	001644	14,-
Groundglass Mask 45 / 37x37	001645	14,-
Groundglass Mask 45 / 4x5 cm	001646	14,-
Aluminium Case TK	022481	366,-

PROFESSIONAL NET PRICES IN € WITHOUT VAT

TECHNIKARDAN S 45

The Technikardan perfectly combines the compactness of the classic Linhof Technika dropped design and the optical bench versatility of the Kardan series. It is a compact and mobile camera system designed for the demanding Pro who needs to travel light but also wants to exploit all the possibilities of a fully adjustable viewcamera system. The disengageable click-stops assure positive zero settings for faster operation.

KARDAN re

KARDAN re 45, 4x5 in.

without lens	000102	1.249,-
Fresnel Screen 45	002522	111,-
Set of 85 mm / 3.3 in. Extension Rods for increased rise	002606	67,-
Kardan Wide Angle Bellows 45	002584	375,-
Levelling Pan/Tilt Head 77 base	003667	445,-
Compendium Lensshade Kardan	001927	299,-
Compendium Filter Holder M 95x1 / 10x10 cm	001933	190,-
Vignetting Mask Holder for Compendium + 4 mask	001932	76,-
Hasselblad V Digi-Adapter for Internat. Universal Back	001693	198,-
Groundglass Mask 45 / 24x36	001644	14,-
Groundglass Mask 45 / 37x37	001645	14,-
Groundglass Mask 45 / 4x5 cm	001646	14,-

KARDAN GT SYSTEM

KARDAN GT 45, 4x5 in.

without lens	000087	2.084,-
Fresnel Screen 45	002522	111,-
Kardan Wide Angle Bellows 45	002584	375,-
Levelling Pan/Tilt Head 77 base	003667	445,-
Compendium Lensshade	001927	299,-
Compendium Filter Holder M 95x1 / 10x10 cm	001933	190,-
Vignetting Mask Holder for Compendium + 4 masks	001932	76,-
Hasselblad V Digi-Adapter for Internat. Universal Back	001693	198,-
Groundglass Mask 45 / 24x36	001644	14,-
Groundglass Mask 45 / 37x37	001645	14,-
Groundglass Mask 45 / 4x5 cm	001646	14,-
Long Monorail GT 600-800 mm / 24-32 in.	002730	296,-
Normal Kardan Bellows 45 (500 mm / 20 in.)	002714	244,-

KARDAN MASTER GTL SYSTEM

KARDAN MASTER GTL 45, 4x5 in.

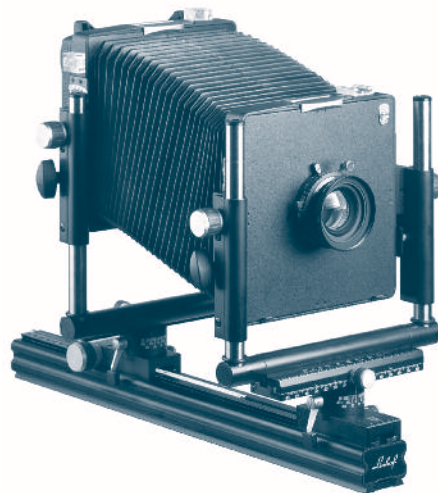
without lens	000097	5.129,-
Fresnel Screen 45	002522	111,-
Kardan Wide Angle Bellows 45 (210 mm / 8.5 in.)	002584	375,-
Levelling Pan/Tilt Head 90 base	003668	461,-
Hasselblad V Digi-Adapter for Internat. Universal Back	001693	198,-
Groundglass Mask 45 / 24x36	001644	14,-
Groundglass Mask 45 / 37x37	001645	14,-
Groundglass Mask 45 / 4x5 cm	001646	14,-
Long Monorail GTL 900 mm / 35.5 in.	002738	224,-
Auxiliary Standard GTL	002708	372,-
Normal Kardan Bellows 45 (500 mm / 20 in.)	002714	244,-

PROFESSIONAL NET PRICES IN € WITHOUT VAT

LINHOF KARDAN re

The ideal entry to professional large format techniques.

"re" stands for the modified version of "E" now with micro drive focusing, improved operating elements and new scales.



KARDAN GT

Lightweight system camera for studio and on location with telescoping monorail and base tilt elements providing tri-axial camera adjustments to yield yaw-free movements both with direct and indirect displacements.



KARDAN MASTER GTL

The modular Kardan GTL system combines maximum stability with extended adjustment facilities and extremely smooth movements with solid brass micro drives.





TECHNORAMA 612 pc II

A camera with no limits: Professional format 6x12 cm on rollfilm including perspective control hand-held. The built-in 8 mm rise of the lens avoids converging lines. The ultimate tool for a user who specialises in architectural, interior, industrial, travel and technically scenic photography.

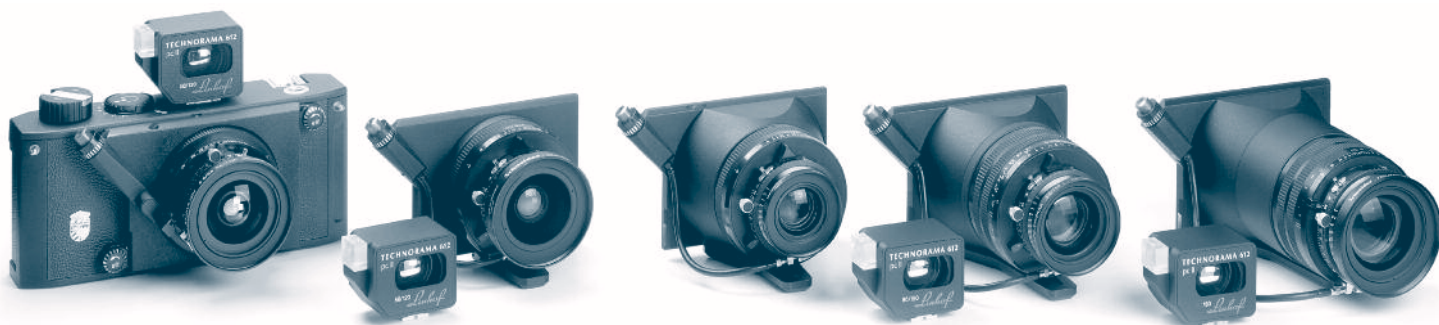
TECHNORAMA 612 pc II

The camera system with dynamic 1 : 2 aspect ratio and the built-in 8 mm rise of the lens. 5 interchangeable lenses with integrated helical focus are offered.

TECHNORAMA 612 pc II (6x12 cm)

body only, with neck strap	000099	2.294,-
Technorama 612 Super-Angulon XL 5,6 / 58	000894	2.794,-
Center filter for Super-Angulon XL 5,6 / 58	022282	272,-
Technorama 612 Optical Viewfinder for f 58 / 120	001310	669,-
Technorama 612 Apo-Symmar L 5,6 / 120	000776	2.631,-
Technorama 612 Super-Symmar XL 4,5 / 80 Asph.	000775	3.130,-
Technorama 612 Optical Viewfinder for f 80 / 150	001311	669,-
Technorama 612 Apo-Symmar L 5,6 / 150	000777	2.737,-
Technorama 612 Apo-Symmar L 5,6 / 180	000778	2.949,-
Technorama 612 Optical Viewfinder for f 180	001312	669,-
Aluminium Case Technorama 612 pc II, custom fitted (for camera and four lenses)	022471	296,-
Universal-Photobag (König)	022497	485,-

PROFESSIONAL NET PRICES IN € WITHOUT VAT



TECHNORAMA 612 pc II

5 interchangeable lenses with individual angles of view are now available.



UNIVERSAL- PHOTOBAG (KÖNIG)

Watertight, with attachable rucksack carrying belts for Linhof Master Technika or Technorama 612 / 617. Optional accessory: Attachable trolley.

T 612 ALUMINIUM CASE

For added protection during transport we recommend to keep the camera always in its custom-designed sturdy aluminium case 022471 accepting a camera with 4 lenses plus viewfinders.



TECHNORAMA 617s III

Panoramic views or fascinating vertical pictures with the dramatic 3 : 1 aspect ratio. 5 interchangeable lenses with integrated helical focus are offered. Dark slide facility permitting lens change without losing film material. 5 interchangeable lenses and relating viewfinders are available.

TECHNORAMA 617s III (6x17 cm)

body only, with neck strap	000113	2.571,-
Technorama Super-Angulon XL 5,6 / 72	000909	3.057,-
Technorama Viewfinder 617s III f 72	001301	524,-
Center Filter for f 72	022302	412,-
Protection Ring for SA XL 5,6 / 72 and 5,6 / 90	001901	191,-
Technorama Super-Angulon XL 5,6 / 90	000910	3.167,-
Technorama Viewfinder 617s III f 90	001302	524,-
Center Filter for f 90	022283	417,-
Protection Ring for SA XL 5,6 / 72 and 5,6 / 90	001901	191,-
Technorama Super-Symmar XL 5,6 / 110	000913	3.088,-
Technorama Viewfinder 617s III f 110	001306	524,-
Center Filter for f 110	022282	272,-
Protection Ring for SS XL 5,6 / 110	001905	191,-
Technorama Apo-Symmar 5,6 / 180	000911	2.273,-
Technorama Viewfinder 617s III f 180	001303	524,-
Technorama Tele-Xenar 5,6 / 250	000915	2.982,-
Technorama Viewfinder 617s III f 250	001304	524,-
Protection Ring for Tele-Xenar 5,6 / 250	001904	262,-
New:		
Technorama T 617 Shift Adapter for focal lengths 72, 90, 110 mm	001650	1.380,-
T 617 Shift Lens Super-Angulon XL 5,6 / 72 mm	000943	2.748,-
T 617 Shift Lens Super-Angulon XL 5,6 / 90 mm	000944	2.961,-
T 617 Shift Lens Super-Symmar XL 5,6 / 110 mm	000945	2.933,-
Conversion set T 617 XL 5,6 / 72 for Shift Adapter	001743	580,-
Conversion set T 617 XL 5,6 / 90 for Shift Adapter	001744	590,-
Conversion set T 617 XL 5,6 / 110 for Shift Adapter	001745	650,-
Groundglass Back T 617	001640	680,-
Linhof Magnifier Adapter for Groundglass Back T 617	022621	49,-
Magnifier 3x, Schneider	022612	149,-
Aluminium Case Technorama 617s III, custom fitted (for camera with wide-angle lens plus normal lens or other wide-angle lens plus Groundglass Back)	022489	380,-
Universal-Photobag (König)	022497	485,-



LINHOFF TECHNORAMA 617 S III

The rugged die-cast professional camera for reliable performance without the need of batteries under the most rugged working conditions "on location" such as travel photography, expeditions, adventure. Ideal for hand-held use producing professional large format quality which can normally only be achieved with 5x7 in. large format cameras (illustration: with Technorama Super-Angulon XL 5,6 / 72 and Protection Ring).



LINHOFF T 617 SHIFT ADAPTER

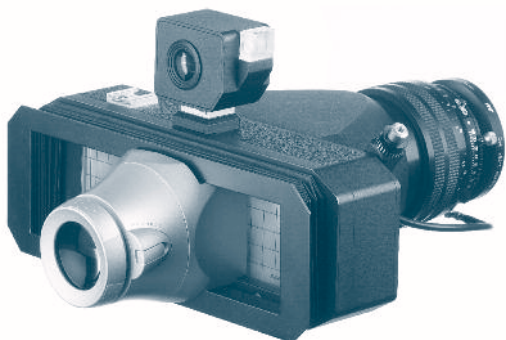
The new Linhof Shift Adapter with wide angle lenses 72, 90 and 110 mm offering an extremely wide shift range of 28 mm (14 mm each up and down). The Shift Adapter can be used with all existing Technorama bodies accepting interchangeable lenses.

PROFESSIONAL NET PRICES IN € WITHOUT VAT



LINHOFF TECHNORAMA 617s SYSTEM

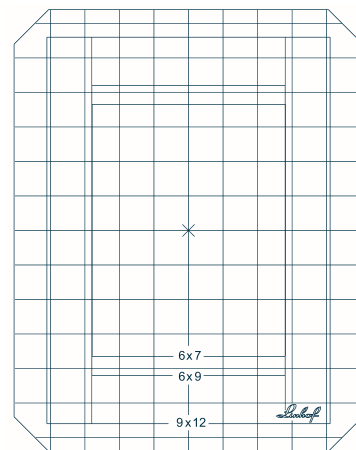
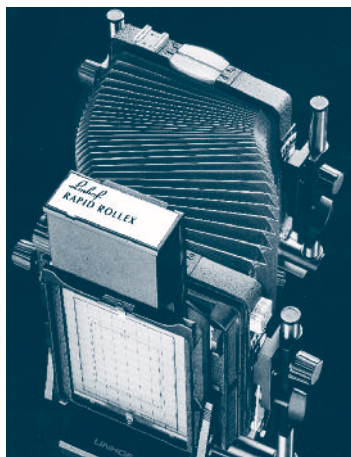
Body, 5 interchangeable lenses and relating viewfinders



LINHOFF GROUNDGLASS BACK T 617

with firmly mounted fresnel screen. Integrated lighthood for flare-free composition. Optimum sharpness is obtained by precise adjustment with the Schneider Magnifier (022612) adaptable with Linhof Magnifier Adapter (0022621).

LINHOF RAPID ROLLEX slide-in rollfilm holders are the economic alternative when speed of operation and added handling comfort are important. Made of high-grade, metal-reinforced plastic, they are available in two versions for LINHOF 23 type cameras, M 679cs and for all other 4x5 field and view cameras with standard 4x5 Graflok type back.



LINHOF MULTI-FORMAT GROUNDGLASS 45 (021805)

Multi format scoring for flexible handling with various scorings for different formats.

ACCESSORIES TECHNIKARDAN S 23

Groundglass 23 / cm-grid /scoring 6x7 cm	021807	35,-
Groundglass 23 / cm-grid /scoring 6x7 /clear center spot	021813	46,-
Fresnel Screen 23	002566	92,-
Folding Focusing Hood 23 (metric table)	001613	196,-
Right Angle Reflex Attachment 23	002629	285,-
Focusing Bellows 23	002504	349,-
Hasselblad V Digi Adapter 23	001565	198,-
Groundglass Mask 23 / 24x36	001647	14,-
Groundglass Mask 23 / 37x37	001648	14,-
Groundglass Mask 23 / 4x5 cm	001649	14,-
Universal Digi Adapter 23 for Camera Adapter plates	001691	185,-
Adapter plate for Hasselblad V	001700	400,-
Adapter plate for Hasselblad H 1/H2	001701	400,-
Adapter plate for Mamiya 645 AF / AFD	001702	400,-
Adapter plate for Contax 645	001703	400,-
Adapter for Arca Suisse Bino Tube for TK 23	001684	137,-
Basic Lighthood 23	001611	350,-
Magnifier Viewing System 8x8 for Basic Lighthood	002757	344,-
Polaroid Film-pack Back 23 (format 7,3x8,5 cm)	001666	upon request
Super Rollex Rollfilm Backs		
Super Rollex 23 / 6x7 cm, 10 expos. on rollfilm 120	001460	995,-
Super Rollex 23 / 6x9 cm, 8 expos. on rollfilm 120	001524	995,-
Rapid Rollex 23 / 6x7 cm, 10 expos. on rollfilm 120	001566	680,-

ACCESSORIES 4x5/9x12

Groundglass 45 / cm-grid / scoring 9x12 cm and Multi format scoring	021805	36,-
Groundglass 45 / cm-grid / without format scoring	021804	16,-
Groundglass 45 / scoring 9x12, AMS mm scale	021831	47,-
Groundglass 45 / cm-grid /scoring 9x12 /clear center spot	021812	47,-
Fresnel Screen 45	002522	111,-
Folding Focusing Hood 45 (metric/feet table)	001612	254,-
Right Angle Reflex Attachment 45	002628	450,-
Focusing Bellows 45	002503	367,-
Hasselblad V Digi Adapter for Internat. Universal Back	001693	198,-
Groundglass Mask 45 / 24x36	001644	14,-
Groundglass Mask 45 / 37x37	001645	14,-
Groundglass Mask 45 / 4x5 cm	001646	14,-

CUTFILM Holders for 4x5 / 9x12 Cameras

(available only as double pack)
Standard Double Cutfilm Holder 4x5
Format 4x5, individual price 021479* upon request

Super Rollex Rollfilm 45 Backs

Super Rollex 45 / 6x7 cm, 10 expos. on rollfilm 120 001459 995,-
Super Rollex 45 / 6x9 cm, 8 expos. on rollfilm 120 001523 995,-

Techno Rollex Rollfilm 45 Back

Format 2 1/4 x 4 3/4 in. / 6x12 cm, 6 expos. on rollfilm 120, 12 expos. on rollfilm 220 001560 1.620,-

Rapid-Rollex Slide-in

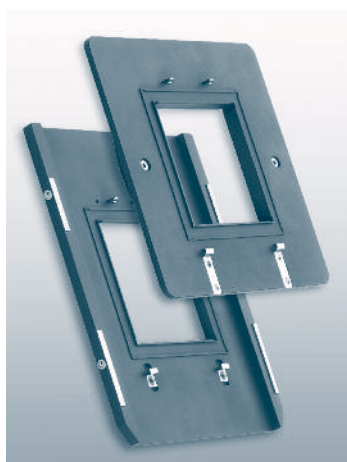
Rapid Rollex 45 / 6x7 cm, Slide-in Rollfilm Magazine 10 expos. 2 1/4 x 2 2/3 in. / 6x7 cm 001567 680,-

Polaroid-Backs

Polaroid Film-pack Holder 405, 8 expos. 73x96 mm 021471* upon request
Polaroid Film-pack Holder 550, 8 expos. 89x118 mm 021477* upon request
Polaroid Cutfilm Holder 545 Pro, Format 4x5 021458* upon request

LINHOF / HASSELBLAD DIGI ADAPTER

The Digi-Adapters for Technikardan S 23 and for international universal backs (Graflok-type) accept all Hasselblad V adapted digital backs.



PROFESSIONAL NET PRICES IN € WITHOUT VAT

ACCESSORIES 5x7/13x18

Groundglass 57 / 13x18 / cm-grid / scoring 5x7 in.	021802	56,-
Groundglass 57 / cm-grid, AMS, mm scale	021830	72,-
Groundglass 57/ 13x18 / cm-grid / scoring 5x7 in. / clear center spot	021808	72,-
Fresnel Screen 57 / 13x18	021822	127,-
Right Angle Reflex Attachment 57	002507	397,-
Focusing Bellows 57	002505	453,-
Fidelity Double Cutfilm Holder 5x7	021470*	upon request

ACCESSORIES 8x10/18x24

Groundglass 810 / cm-grid / add. scoring 18x24 cm	021816	150,-
Fresnel Screen 810	022561	198,-
Focusing Bellows 810	002735	514,-
Fidelity Double Cutfilm Holder 8x10 (available only as double pack) – individual price	021468*	upon request

**LINHOFF SUPER ROLLEX BACKS**

For Technikardan S 23 und 4x5 cameras with International Back: Efficient handling with rollfilm for formats 6x7 and 6x9 cm.

The all-metal Linhof Super Rollex Backs for optimum film flatness with rapid winding lever in conjunction with a sophisticated ball bearing freewheel transport system.

**CENTER FILTER**

to reduce the light fall-off at the edges.

MISCELLANEOUS ACCESSORIES**Control accessories, etc.**

Magnifier 3x, Schneider	022612	149,-
Magnifier 4x, Schneider	022615	102,-
Magnifier 10x, Schneider	022616	159,-
Magnifier 10x with light, Schneider	022617	215,-
Glass reticle scale for Magnifier 10x	022618	69,-
Magnifier 6x, aspherical, Schneider	022614	189,-
Magnifier 4x, aspherical, Rodenstock	022613	90,-
Magnifier 3x, aspherical, Rodenstock	022619	175,-
Magnifier 6x, Silvestri (Inclination 45°)	S-25050	77,-
Dual Spirit Level	002599	28,-
Linhof Focusing Cloth	022620	98,-

Compendium TK

Vignetting Mask Holder for Compendium + 4 masks	001931	299,-
Compendium Filter Holder M 95x1/ 10x10 cm	001932	76,-
	001933	190,-

Compendium Lensshade for:

Kardan re, E and GT	001927	299,-
Compendium Lensshade Master Technika 45 add. recommended for 001927 u. 001926:	001926	299,-
Compendium Filter Holder M 95x1/ 10x10 cm	001933	190,-
Vignetting Mask Holder for Compendium + 4 masks	001932	76,-
Filter Folding Frames (set of 3) 10x10 cm / 4x4 in.	002013	30,-

CENTER FILTERS

for Wide Angle Lenses,
Screw-in Filters assorted in accordance with Ø of the lenses.

Ø = M 52 IID for Apo-Digitar 5,6 / 24 XL	022303	191,-
Ø = M 52 IIF for Apo-Digitar 5,6 / 35 XL	022285	191,-
Ø = M 58 for GRAN-N 4,5 / 65 + 6,8 / 75	022292	206,-
Ø = M 67 IIIB for SA 5,6 / 58 XL + SA 8 / 90 und SS 4,5 / 80 Asph. + SS 5,6 / 110 XL	022282	272,-
Ø = M 67 for A-GRAN 4,5 / 35 / 45 / 55	022301	346,-
Ø = M 67 for GRAN-N 4,5 / 75 + 6,8 / 90	022306	227,-
Ø = M 82 for GRAN-N 4,5 / 90 + 6,8 / 115	022291	338,-
Ø = M 95 IVA for SA 5,6 / 90 XL + 150 XL	022283	417,-
Ø = M 95 IVB for SA 5,6 / 72 XL	022302	412,-
Ø = M 72 IIA for SA 5,6 / 38 XL	022293	276,-
Ø = M 52 II for SA 5,6 / 47	022141	184,-
Ø = M 67 IIIC for SA 5,6 / 47 XL	022300	276,-
Ø = M 82 IIID for SA 6,8 / 90	022305	277,-
Ø = M 135 VI for Super S. 5,6 / 210 XL	022284	783,-
IIB for Apo-Digitar 5,6 / 24 XL Integral	022307	191,-
IIG for Apo-Digitar 5,6 / 35 XL Integral	022308	191,-

FILTERS**POLARIZING FILTER**

Screw-in mount		
M 95x1	022259	175,-
M 105x1	022260	175,-
Filter Holder for Filter Foils 7,5 x 7,5 cm	022607	58,-

PROFESSIONAL NET PRICES IN € WITHOUT VAT

When ordering different lens combinations for one camera either with recessed lensboards (only available with cable release quicksocket) or with flat lensboards we strongly recommend the cable release quicksocket facility too.

PRECISION LENSES 35 – 1100 mm

Lens Type	Aperture/ Focal Length	Shutter Type / Size	Code No.	Net Price Lens and Shutter	Front Mount Diameter / Filter Thread (mm)	Image Circle (mm)	Lensboard Master Tech. classic	Lensboard Master Tech. 2000	Lensboard Technikardan 23	Lensboard Technikardan 45	Lensboard Kardan re / GT / GTL
Apo-Grandagon	4,0 / 35	Copal 0	000931	1.221,-	70 / 67	125	*	001015	001047	001035	001094
Super-Angulon XL	5,6 / 38	Copal 0	000602	1.488,-	75 / 72	125	*	001015	001047	001015	001094
Apo-Grandagon	4,5 / 45	Copal 0	000895	1.090,-	60 / 58	131	*	001120	001015	001015	001094
Super-Angulon XL	5,6 / 47	Copal 0	000897	1.428,-	70 / 67	166	*	001120	001143	001047	001090
Apo-Grandagon	4,5 / 55	Copal 0	000899	1.137,-	70 / 67	163	*	001159	001143	001143	001090
Super-Angulon XL	5,6 / 58	Copal 0	000868	1.183,-	70 / 67	166	*	001159	001143	001143	001090
Grandagon N	4,5 / 65	Copal 0	000830	1.217,-	60 / 58	170	*	001159	001143	001143	001090
Super-Angulon XL	5,6 / 72	Copal 0	000901	1.547,-	100 / 95	226	001015	001015	001143	001143	001090
Grandagon N	4,5 / 75	Copal 0	000833	1.295,-	70 / 67	195	001015	001015	001143	001143	001090
Super-Symmar XL Asph.	4,5 / 80	Copal 0	000600	1.575,-	70 / 67	211	001047	001047	001143	001143	001090
Super-Angulon XL	5,6 / 90	Copal 0	000873	1.635,-	100 / 95	259	001015	001015	001143	001143	001090
Super-Angulon	6,8 / 90	Copal 0	000680	1.161,-	90 / 82	216	001015	001015	001143	001143	001090
Grandagon N	4,5 / 90	Copal 1	000834	1.479,-	85 / 82	236	001026	001026	001026	001026	001091
Grandagon N	6,8 / 90	Copal 0	000836	976,-	70 / 67	221	001015	001015	001143	001143	001090
Apo-Sironar S	5,6 / 100	Copal 0	000861	641,-	51 / 49	155	001015	001015	001143	001143	001080
Super-Symmar XL Asph.	5,6 / 110	Copal 1	000923	1.569,-	70 / 67	288	001026	001026	001026	001026	001081
Apo-Symmar L	5,6 / 120	Copal 0	000633	743,-	54 / 52	189	001047	001047	001143	001143	001080
Apo-Sironar S	5,6 / 135	Copal 0	000874	749,-	51 / 49	208	001015	001015	001143	001143	001080
Apo-Symmar L	5,6 / 150	Copal 0	000641	797,-	60 / 58	233	001015	001015	001143	001143	001080
Apo-Sironar S	5,6 / 150	Copal 0	000876	772,-	51 / 49	231	001015	001015	001143	001143	001080
Apo-Sironar N	5,6 / 150	Copal 0	000700	582,-	51 / 49	214	001015	001015	001143	001143	001080
Super-Symmar XL Asph.	5,6 / 150	Copal 1	000925	2.006,-	100 / 95	386	001026	001026	001026	001026	001081
Apo-Symmar L	5,6 / 180	Copal 1	000643	1.015,-	75 / 72	277	001026	001026	001026	001026	001081
Apo-Sironar S	5,6 / 180	Copal 1	000878	1.004,-	70 / 67	276	001026	001026	001026	001026	001081
Apo-Symmar L	5,6 / 210	Copal 1	000646	1.099,-	80 / 77	321	001026	001026	001026	001026	001081
Apo-Sironar S	5,6 / 210	Copal 1	000880	1.090,-	75 / 72	305	001026	001026	001026	001026	001081
Apo-Sironar N	5,6 / 210	Copal 1	000702	881,-	70 / 67	301	001026	001026	001026	001026	001081
Super-Symmar XL Asph.	5,6 / 210	Copal 3	000624	3.068,-	140 / 135	500	001119z	001119z	001119	001119	001083
Apo-Sironar S	5,6 / 240	Copal 3	000882	1.711,-	90 / 86	372	001059z	001059z	001119	001119	001083
Tele-Xenar	5,6 / 250	Copal 1	000969	1.197,-	86 / 82	190	001026	001026	001026	001026	001081
Apo-Symmar L	5,6 / 300	Copal 3	000648	2.175,-	110 / 105	430	001119z	001119z		001119	001083
Apo-Sironar S	5,6 / 300	Copal 3	000884	2.269,-	110 / 105	448	001059z	001059z		001119	001083
Apo-Sironar S	6,8 / 360	Copal 3	000886	2.560,-	117 / 112	468					001083
Apo-Symmar L	8,4 / 480	Copal 3	000649	3.040,-	110 / 105	500					001083
Apo-Tele-Xenar Comp.	5,6 / 400	Copal 3	000626	1.733,-	85 / 82	250	001119z	001119z		001119	001083
Apo-Tele-Xenar	9,0 / 600	Copal 3	000866	3.103,-	112 / 105	312					001083
- rear lens componenet	12 / 800		000862	1.008,-							001083
Apo-Tele-Xenar	12 / 800	Copal 3	000864	3.291,-	112 / 105	400					001083
- rear lens componenet	9,0 / 600		000863	821,-							001083
Fine-Art XXL	11 / 550	Copal 3	000940	4.768,-	- / 122	900					001083
Fine-Art XXL	14 / 1100		000941	3.820,-	- / 105	900					
Cylinder Body BK 73 with slip-in diaphragm											
Fine-Art XXL	22 / 1100	Copal 3	000942	3.885,-	- / 105	900					001083

* Recessed Technika lensboard with helical focusing mount for wide angle lenses – see page 7 and 15.

HIGH PERFORMANCE LENSES FOR CLOSE-UP AND MACRO WORK

Correction optimized for reproduction ratios from 1:3 to 3:1, Image Circle (mm) with f-stop 22

Makro-Symmar HM	5,6 / 80	Copal 0	000903	990,-	42 / 40	160 (1:1)	001047	001047	001143	001143	001090
Makro-Symmar HM	5,6 / 120	Copal 0	000848	1.186,-	42 / 40,5	251 (1:1)	001143	001143	001143	001143	001080
Makro-Symmar HM	5,6 / 180	Copal 1	000850	1.414,-	60 / 58	375 (1:1)	001026	001026	001026	001026	001081
Apo-Macro-Sironar	5,6 / 120	Copal 0	000921	859,-	51 / 49	277 (1:1)	001143	001143	001143	001143	001080
Apo-Macro-Sironar	5,6 / 180	Copal 1	000905	1.148,-	70 / 67	415 (1:1)	001026	001026	001026	001026	001081

LENSBOARDS

TECHNIKA 23 LENSBOARDS (74x81mm)

for Technika 23 dropped cameras 6x9 as of 1962:

Flat Lensboard 23 with center hole	001001	76,-
- with cutout Copal 0 with cable release socket	001158*	108,-
- with cutout Copal 0 with cable release socket	001124	115,-
- with cutout for Compur / Copal 1	001106	83,-

* for wide angle lenses 55/58 u. 65 mm on Technika 23

TECHNIKA 45 LENSBOARDS (96x99 mm)

for Technikardan 23 / 45 and Master Technika 45

without cable release quicksocket

Flat Lensboard 45 with center hole	001013	76,-
- with cutout for Compur / Copal 0	001143	76,-
- with spacer tube for Compur / Copal 0	001159	169,-
- with cutout for Compur / Copal 1	001026	82,-
- with cutout for Compur 3	001059	82,-
- with cutout for Copal 3	001119	80,-

With Cable Release Socket

Recessed Lensboards

- with cutout for Copal 0 - 12 mm recessed "Comfort"	001015	216,-
- with cutout for Copal 0 - 6 mm recessed	001047	184,-
- with cutout for Copal 0 - 21 mm recessed	001035	230,-

Flat Lensboards

- with cutout for Compur 0	001017	113,-
- with cutout for Copal 0	001120	115,-
- with cutout for Compur 1	001126	115,-
- with cutout for Copal 1	001121	115,-

TECHNIKA 57 LENSBOARDS (129x129 mm)

for Technika 5x7 cameras

Flat Lensboard 57 (remaining stock) pls. specify shutter size requested	001040	92,-
---	--------	------

KARDAN LENS PANELS (162x162 mm)

for Kardan E / GT / GTL

Flat Kardan Lensboard with hole size 0	001080	80,-
Flat Kardan Lensboard with hole size 1	001081	80,-
Flat Kardan Lensboard with hole size 3	001083	80,-
Recessed Kardan Lensboard with hole size 0	001090	184,-
Recessed Kardan Lensboard with hole size 1	001091	184,-
Double rec. Kardan Lensboard with hole size 0 or 1	001094	201,-

REDUCING LENSBOARD ADAPTERS for Kardan re / E / GT / GTL (for use of Technika Lensboards with Kardan cameras)

Flat Kardan Lensboard Adapter 23	001088	163,-
Recessed Kardan Lensboard Adapter 23	001092	184,-
Flat Kardan Lensboard Adapter 45	001087	140,-
Recessed Kardan Lensboard Adapter 45	001093	229,-
Technika Reducing Lensboard Adapter 45 / 23 (permits the use of Technika 23 lensboards with Technikardan and Master Technika cameras.)	001070	217,-

CABLE RELEASES

CABLE RELEASES AND ACCESSORIES

Cable release 340 mm, T-lock + turning nipple	002429	21,-
Cable release 430 mm, T-lock + turning nipple	002430	23,-
Cable release 530 mm, T-lock + turning nipple	002431	23,-
Cable release 530 mm, T-lock + special unthreaded nipple for cable release quicksocket	002440	27,-
Cable release 750 mm, T-lock + turning nipple	002434	25,-
Profi Cable Release 700 mm	022767	30,-
Screw-on nipple for cable release quicksocket	041066	4,-
Cable release extension 50 mm for Copal / Compur	100802	23,-
Cable release extension 100 mm for Copal	100247	23,-
Cable release extension 100 mm for Prontor Professional	100811	23,-

CABLE RELEASE QUICKSOCKET

(Repair Items)

FOR NEW RECESSED LENSBOARDS

Cable release Quicksocket	045296*	18,-
Cable release intermediate part for Quicksocket	100700*	18,-
Angular Cable release Quicksocket	300063*	15,-
Angular flash contact	022780*	28,-

FOR FLAT LENSBOARDS

SHUTTER SIZE 0 AND 1

Cable release Quicksocket	045298*	18,-
Guide bushing	058180*	6,-
Release pin	030283*	1,-

RECESSED TECHNIKA LENSBOARD WITH HELICAL FOCUSING MOUNT

Recessed Technika lensboard with helical focusing mount for

- Super-Angulon XL 5,6 / 38	001036	505,-
- Super-Angulon XL 5,6 / 47	001037	505,-
- Super-Angulon XL 5,6 / 58	001038	505,-

Mounting of lenses in factory only.

MASTER TECHNIKA 3000 LENSBOARD (SCHNEIDER)

with cable release quicksocket for

- Super-Angulon XL 5,6 / 38	001138	184,-
- Super-Angulon XL 5,6 / 47	001147	126,-
- Super-Angulon XL 5,6 / 58	001148	169,-

MASTER TECHNIKA 3000 LENSBOARD (RODENSTOCK)

with cable release quicksocket for

- Apo-Grandagon 4,0 / 35	001015	216,-
- Apo-Grandagon 4,5 / 45	001045	126,-
- Apo-Grandagon 4,5 / 55	001159	169,-

PROFESSIONAL NET PRICES IN € WITHOUT VAT



Wide angle lenses in helical focusing mount for comfortable focusing of lenses in Master Technika classic.

ROLLEI ELECTRONIC SHUTTER SYSTEM

Electronic Shutter size 0	022700*	1.044,-
Electronic Shutter size 1	022701*	1.044,-
Rollei LensControl S	022710*	985,-
Rollei Rapid Charger	022712*	148,-
Rollei Charger Cable for LensControl	022713*	35,-
Nicad Battery for RolleilensControl	022711*	98,-
Rollei Digital Connecting Cable	022716*	98,-
Adapter Bajonett Universal System 6000	022720*	649,-
Control Cable for PhaseOne Light Phase H 20	022721*	182,-

FOR OPERATION IN POWER SUPPLY MODE:

Rollei LensControl S	022710*	985,-
Power Interface	022714*	258,-
Rollei Power supply for Power Interface	022715*	35,-
Rollei Digital Connecting Cable	022716*	98,-

SCHNEIDER ELECTRONIC SHUTTER SYSTEM

Electronic Shutter 0 NK0-118	022500*	954,-
Power Supply NK0-118/119	022515*	127,-
Adapter Cable NK0-118 for Jenoptik Eyelike	022516*	150,-
Adapter Cable NK0-118 for Imacon	022517*	268,-
Schneider Shuttercontrol for NK0-118/119	022520*	687,-
SC-Power Supply and Charger for Shuttercontrol + 3 batteries NiMH	022524*	69,-
Battery NiMH for Shuttercontrol (3 x necessary)	022525*	8,-
SC-ES Cable Shuttercontrol Eyelike	022527*	113,-
Adapter Cable NK0-118/119 f. Eyelike/Sinar emotion	022518*	150,-
SC Imacon Ixpress, Control Cable for Shuttercontrol	022528*	113,-
SC Power Supply without battery	022526*	44,-
SC Cable Hasselblad Interface	022529*	59,-

USB Interface (complete)

(incl. Software PC and Mac, 5 m USB Cable 022533, Shutter Release Cable with Key 022534, Synchro Cable 022535)	022532*	742,-
--	---------	-------

Spare:

USB Cable, 5m	022533*	8,-
Shutter Release Cable with Key	022534*	22,-
Synchro Cable	022535*	27,-



Schneider Electronic Shutter System for use with digital backs. Here with Linhof M 679cs and control module.



LINHOFF BALLHEADS

Even the smallest holds what the larger heads promise: Enormous locking stability in any position. The superior choice for all 35 mm, medium and large format cameras, perfect for time exposures and tele shots.

The professional ballheads with a load capacity of up to 10 kg offer pan movements separately locked, calibrated friction control and optionally firmly fixed quicklock tripod connector.

TRIPOD HEADS

BALLHEADS

Universal Ballhead 01, 40 mm base	003681	64,-
Universal Ballhead I, 49 mm base	003677	99,-
Profi Ballhead II, 63 mm base	003676	215,-
Profi Ballhead II Q, 63 mm base	003679	299,-
Profi Ballhead III, 80 mm base	003675	335,-
Profi Ballhead III Q, 80 mm base	003680	430,-
Profi Ballhead III, 90 mm base	003650	350,-

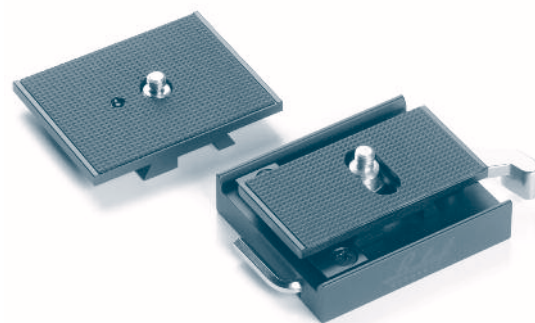
PAN/TILT HEADS

3-Way Levelling Head I, 77 mm base	003663	385,-
Large Levelling Head 3/8", 77 mm base	003659	198,-
Large Levelling Head 1/4", 77 mm base	003664	198,-
Levelling Pan/Tilt Head 77 base for Kardan re /GT/GTL	003667	445,-
Levelling Pan/Tilt Head 90 base for Kardan re /GT/GTL	003668	461,-
Quickchange plate for levelling heads 003667/68	003853	60,-
Profi 3 Universal Pan/Tilt Head 90 base	003669	910,-
Quick-Change Plate (spare) f. Profi 3 Head	003856	60,-

SPECIAL HEAVY DUTY HEAD

Precision Micro Cradle Head with add. micro drives for extremely accurate pan and tilt control	003672	2.575,-
--	--------	---------

PROFESSIONAL NET PRICES IN € WITHOUT VAT



Normal Adapter Plate (003875), spare.

Quickfix I Tripod Connector (003874) with attached 35 mm Adapter plate (003878) instead of normal plate. This 35 mm plate is also suitable for use with turned Master Technika.

Lightweight Pro
Tripod and Twin Shank
Pro Tripod



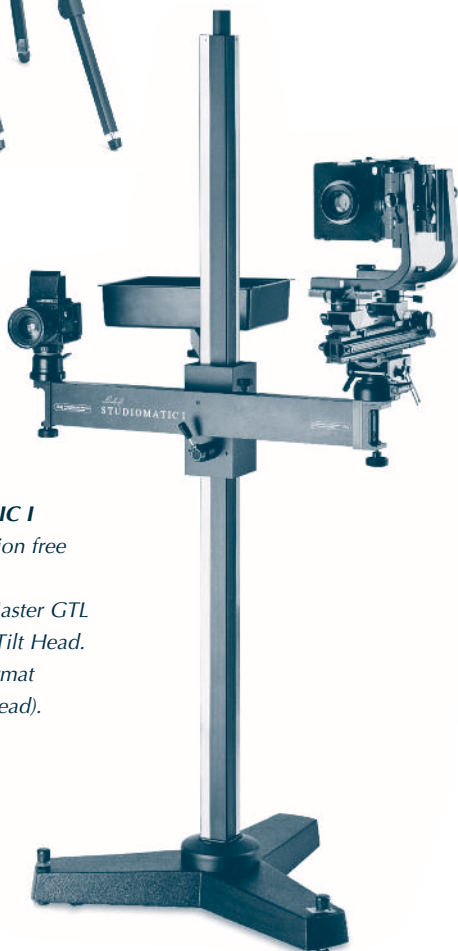
PROFI-PORT TRIPOD

43/146 cm, 3 sections,
extremely compact and
easily portable tripod for the
travelling photographer.
Sliding dual section
centerpost, for cameras up
to 4 kg (9 lb.)

LINHOF STUDIOMATIC I

Extremely stable vibration free
Studio Stand.

(Illustr. right: Kardan Master GTL
45 with Levelling Pan/Tilt Head.
Illustr. left: Medium format
camera on Levelling Head).



TRIPODS

Profi-Port II Tripod, 3-sect., 43/146 cm	003450	218,-
Tripod Case for Profi-Port II, 50 cm	023321	55,-
Lightweight Pro Tripod, 3-sect., 65/190 cm	003414	199,-
Lightweight Pro Tripod P, 3-sect, 65/168 cm	003469	229,-
Tripod Case for Lightweight Pro Tripod, 76 cm	023305	56,-
Tripod Case for Rekord-Profil, length 84 cm	023304	44,-
Twin Shank Pro Tripod Expert 81/186 cm	003317	399,-
Twin Shank Pro Tripod P, 81/186 cm	003333	430,-
Tripod Case for Twin Shank Pro, length 97 cm	023313	70,-
Profi 3 Tripod, 72/187 cm	003454	1.215,-
Heavy Duty Pro Tripod, 91/155 cm	003323	1.081,-
Tripod Case f. Heavy Duty Pro Tripod + Profi 3, 105 cm	023308	196,-
Large Geared Centerpost for HD Pro Tripod	003755	499,-
Tripod Case for HD Pro Tripod w. centerpost, 120 cm	023309	199,-

TRIPOD ACCESSORIES

Quickfix I Tripod Connector	003874	97,-
Quickfix I Adapter Plate (spare)	003875	25,-
Quickfix I Adapter Plate for 35 mm cameras	003878	25,-
Quickfix II Tripod Connector	003876	99,-
Quickfix II Adapter Plate (spare)	003877	26,-
Retaining Screw Quickfix 3/8"	056084	4,-
Retaining Screw Quickfix 1/4"	056325	4,-
Small Top Plate 42 mm dia.	003845	11,-
Large Top Plate 77 mm dia.	003753	14,-
Support Plate for Top Plate 77 mm	003871	10,-
Flat Tripod Top Plate 90 - 3/8"	031482	40,-
Flat Tripod Top Plate 90 - 1/4"	032965	40,-
Small Camera Screw 1/4"	003769	10,-
Small Camera Screw 3/8"	003773	10,-
Large Camera Screw 1/4"	003774	13,-
Large Camera Screw 3/8"	003775	13,-
R/A Outrigger Adapter Profi 3 + HD Pro Tripod	003776	340,-
Reducing Bushing 3/8 to 1/4"	004262	2,-

SPARE PARTS

Rubber Foot for Lightweight Pro and Twin Shank Pro	034128	3,-
Washer (3x) for Rubber Foot /Lightweight Pro and Twin Shank Pro Tripods	004508	1,-
Rubber Foot for Heavy Duty Pro and Profi 3 Tripod	035544	3,-
Rubber Holder for 035544	035545	3,-
Washer (3x) for Rubber Foot Heavy Duty Pro and Profi 3 Tripod	004555	1,-

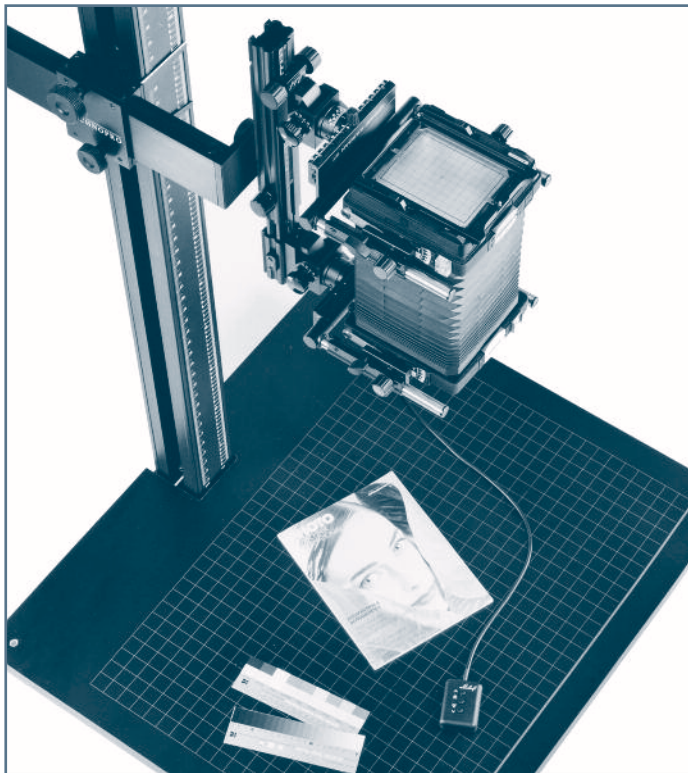
STUDIO STANDS

Studio Stand II, 80 / 150 cm / 31.5 x 49 in.	003431	1.590,-
Outrigger arm for Studio Stand II	003857	118,-
Studiomatic I, 220 cm / 86 in. with outrigger arm and accessory tray	003467	2.850,-
Add. Counterweight 5 kg / 11 lb. for Studiomatic	003872	78,-
Studiomatic II, 280 cm, with outrigger arm and accessory tray	003465	6.200,-
ACCESSORIES FOR STUDIO STANDS		
Dovetail Retaining Bracket for Studiomatic I+II	003866	98,-
Clamp Mount 90 w/dovetail fitting for Studiomatic I+II	003863	197,-
Camera Top Plate 3/8" w/dovetail for Studiomatic I+II	003864	134,-
Clamp Mount 90 w/screw-on fitting f. Studiomatic I+II	003867	140,-
Camera Top Plate 90 w/screw-on fitting 3/8 for Studiomatic I+II	003870	106,-
High-/ Low Outrigger with turnable clamp mount 90 and two dovetail fittings	003865	497,-
HD Accessory Platform 30x42 cm, 3/8"-bushing	003850	106,-
Accessory tray 30x40 cm / 12x16 in. 3/8"-bushing	003852	119,-

PROFESSIONAL NET PRICES IN € WITHOUT VAT

LINHOF RD 1**NEW:****Linhof RD 1**

Special vibrations-free Reproduction Camera 4x5 000140 2.645,-
for adaptation of High End Scan Backs (Anagramm).

**TECHNOPRO I**

Solid repro column as desk device
or with special steel table. For
medium format or large format
cameras with film or digital back.

LINHOF DIGI REPRO

LINHOF DIGI REPRO 003460 3.555,-

Repro desk with enlargeable 3,00 m floor guide rail, all-purpose column tripod Linhof Studio Stand II, 80 / 150 cm, flat top plate 90 mm - 3/8", including outrigger arm and accessory tray. Height adjustable object fixing equipment for objects up to 250x155 cm (LxH) and additional magnetic board (100x150 cm).

ACCESSORIES

Floor guide extension rail for Digi Repro 3,00 m 003461 235,-

CAMERA

Recommended device: Linhof RD 1, Linhof M 679cs (see page 3) as well as 4x5 / 9x12 cameras with international universal back (type Graflok).

DIGITAL RECORDING SYSTEM

Ideal in combination with digital backs: all marketable chipbacks and high-end scanbacks can be connected to the Linhof M 679, Linhof RD 1 and to 4x5 / 9x12 precision cameras. For detailed information please contact Mr. Kreuzbruck at ANAGRAMM our digital partner. Tel.: + 49/ 89 / 74151818.

ILLUMINATION

The opposite picture shows a reproduction arrangement with four flicker suppressed (areal) daylight fluorescent lamps each 6x55 watts on height adjustable tripods. Further illumination systems on request.

**LINHOF RD 1**

Reproduction Camera for
Digital Imaging (000140).

COPY EQUIPMENT**COPY STANDS**

TECHNOPRO I, Heavy-duty copy stand,
basebord size 65x70 cm/ 25x27 in., column height
145 cm / 57 in. 003013 1.898,-

TECHNOPRO II, Heavy-duty copy stand,
basebord size 90x80 cm / 35x31 in., column height
180 cm / 71 in. 003015 1.945,-

Steel Table for Technopro I and II 003018 179,-

Halogen Copy Light Set 003011 668,-

Halogen Lamp 220 V / 150 W, G 635 023050 27,-

BOOK COPYING EASEL 34x50 cm / 14x20 in. 003090 1.950,-

Metal Loading Plate 32x48 cm / 12.5x19 in.
for 003090 003235 59,-



**THE LINHOF BOOK
COPYING EASEL**
automatically adjusts
the position of the
book so that despite
different thickness the
two halves lie perfect-
ly flat against the glass
plate cover.

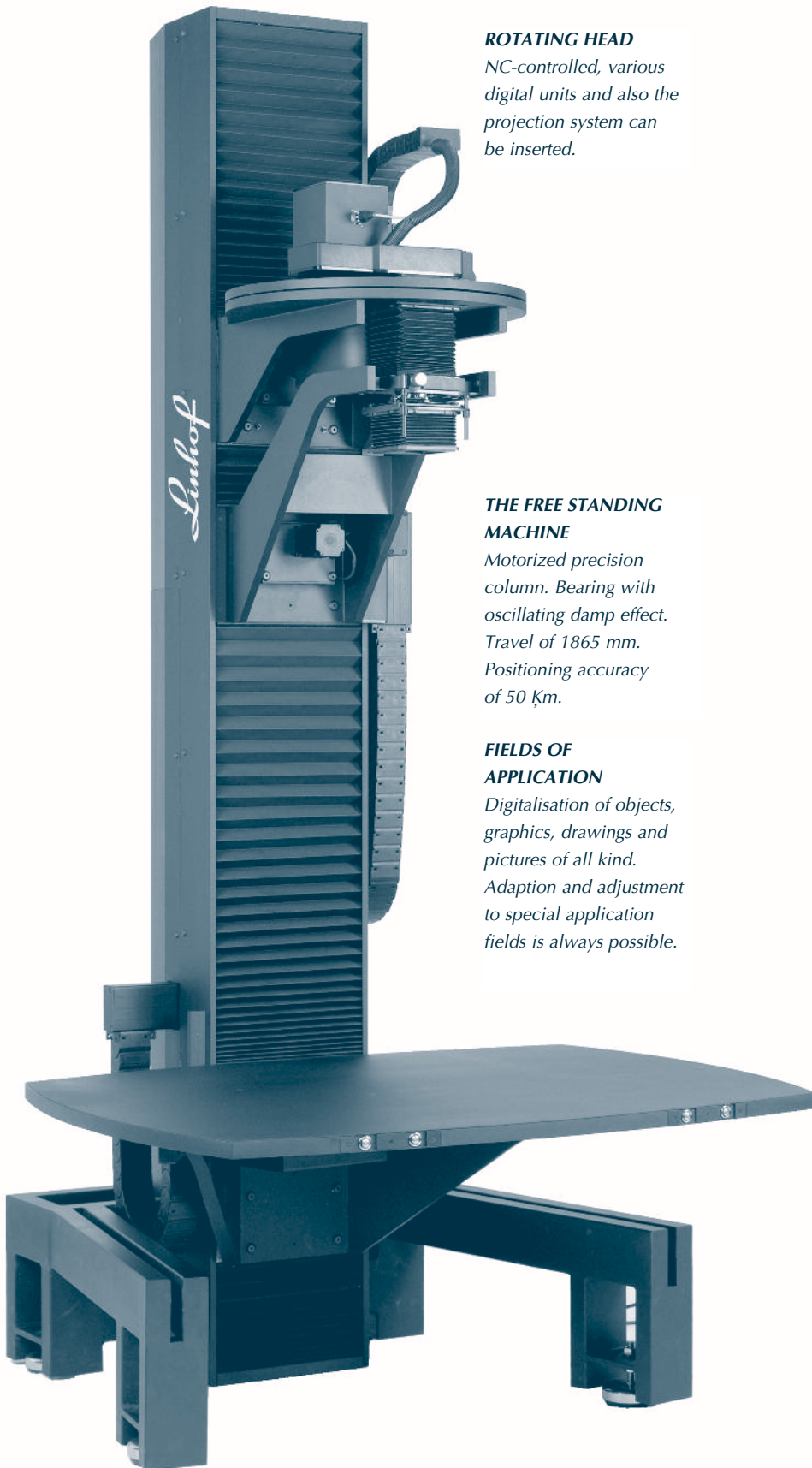
**LINHOF
DIGI REPRO**

Integrated solution
for digital image
recording and repro-
duction with guide
rail including all-pur-
pose column tripod
and object fixing
equipment.
(Camera, digital back
and illumination are
not included in the
price.)

PROFESSIONAL NET PRICES IN € WITHOUT VAT

Linhof

tel. +49 89/72 492 -0 fax +49 89/72 492 -250 info@linhof.de www.linhof.de

**ROTATING HEAD**

NC-controlled, various digital units and also the projection system can be inserted.

THE FREE STANDING MACHINE

Motorized precision column. Bearing with oscillating damp effect. Travel of 1865 mm. Positioning accuracy of 50 µm.

FIELDS OF APPLICATION

Digitalisation of objects, graphics, drawings and pictures of all kind. Adaption and adjustment to special application fields is always possible.

LINHOF MASTER DIGI REPRO SYSTEM

003462

price upon request

Automized repro-workstation for digitalizing or reproduction of objects and transparent objects.

THE FREE STANDING MACHINE

Motorized precision column. Bearing with oscillating damp effect. Travel of 1865 mm.

Positioning accuracy of 50 µm.

Motorized height adjustable repro-desk and NC-controlled camera platform designed as rotating head permitting the use of different techniques such as high-resolution scanbacks, chipbacks or rollfilm cassettes. The integrated projection system serves for control of sharpness and image section.

THE DIGITAL SYSTEM

We recommend Anagramm picture gate 8000 production² which is a high resolution scanback 8000 x 9700 pixels, 16 bit color depth and a short scanning time of 21 seconds only with 444 MB data volume.

If required according to demand and handling there are digital backs available featuring even better resolutions. The control of the motorized operation of the Linhof Master Digi Repro is integrated in the Anagramm scan software.

This means that positions once elaborated can be filed for repeating tasks.

For more information please call Mr. Kreuzbruck of Messrs. Anagramm, phone +49 (0)89 -74151818.

ILLUMINATION

Two dimmable fluorescent lamp boxes, flicker suppressed, 12 x 55 Watt, 5.500 Kelvin. Motorized height adjustment.

LED REPRO LIGHTBOX

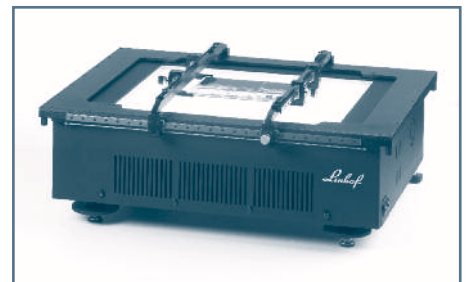
Translucent box for objects up to 30 x 40 cm. Newly designed covering demands by conservatoriums for digitalizing of original glass negative plates. Innovative LED-technique protecting precious glass negatives against damage by heating. A special holder permits the touch-free scanning of different formats. A color temperature of 5.500 Kelvin ensures color neutral reproduction.

LED Repro lightbox 100 003006 4.990,-

LED Repro lightbox 200 003007 5.990,-

ADDITIONAL ACCESSORY

An extremely flat and light suction plate based on an electro-static process is available for paper size up to DIN A0 / 118,9x84,1 cm.

**LED REPRO LIGHTBOX**

with holder for touch-free scanning of glass negatives according to requirements by conservatoriums.

Code	Euro	PRODUCTS	Code	Euro	PRODUCTS
ORIGINAL LINHOF PRECISION CAMERAS					
000054	4.851,-	MASTER TECHNIKA 45, 4x5, without lens	000536	2.841,-	Apo-Digitar XL 5,6 / 35 Rollei 0
000087	2.084,-	KARDAN GT 45, 4x5, without lens	000537	1.999,-	Apo-Digitar XL 5,6 / 35 Copal 0
000097	5.129,-	KARDAN MASTER GTL 45, 4x5, without lens	000559	2.373,-	Digitar L 2,8 / 28 Schneider el. 0
000099	2.294,-	TECHNORAMA 612pc II, body only	000560	1.891,-	Apo-Digitar XL 5,6 / 47 Schneider electr. 0
000102	1.249,-	KARDAN re 45, 4x5, without lens	000561	1.562,-	Apo-Digitar N 4,0 / 60 Schneider electr. 0
000107	3.005,-	TECHNIKARDAN S 23, 6x9, without lens	000562	1.571,-	Apo-Digitar L 4,0 / 80 Schneider electr. 0
000108	3.145,-	TECHNIKARDAN S 45, 4x5, without lens	000563	1.781,-	Apo-Digitar-Makro 5,6 / 80 Schneider electr. 0
000113	2.571,-	TECHNORAMA 617s III, body only	000564	1.508,-	Apo-Digitar N 4,5 / 90 Schneider electr. 0
000117	4.625,-	LINHOF M 679cs, without lens and back	000565	1.704,-	Apo-Digitar N 5,6 / 100 Schneider electr. 0
000130	4.625,-	MASTER TECHNIKA 3000, 4x5, without lens	000566	1.602,-	Apo-Digitar N 5,6 / 120 Schneider electr. 0
000140	2.645,-	RD 1, Reproduction Camera 4x5	000567	1.982,-	Apo-Digitar-Makro 5,6 / 120 Schneider electr. 0
LENSES					
000419	2.089,-	Apo-Sironar-digital 5,6 / 90 Rollei 0	000568	1.941,-	Apo-Digitar N 5,6 / 150 Schneider electr. 0
000420	1.585,-	Apo-Symmar L 5,6 / 120 Rollei 0	000569	1.965,-	Apo-Digitar L 5,6 / 72 Schneider electr. 0
000440	1.639,-	Apo-Symmar L 5,6 / 150 Rollei 0	000600	1.575,-	Super-Symmar XL 4,5 / 80 Asph. Copal 0
000441	1.779,-	Apo-Symmar L 5,6 / 180 Rollei 1	000602	1.488,-	Super-Angulon XL 5,6 / 38 Copal 0
000442	2.178,-	Makro-Symmar 5,6 / 180 Rollei 1	000624	3.068,-	Super-Symmar XL 5,6 / 210 Copal 3
000443	1.884,-	Apo-Sironar S 5,6 / 180 Rollei 1	000626	1.733,-	Apo-Tele-Xenar 5,6 / 400 Compact Copal 3
000444	2.028,-	Apo-Macro-Sironar 5,6 / 180 Rollei 1	000633	743,-	Apo-Symmar L 5,6 / 120 Copal 0
000445	1.761,-	Apo-Sironar N 5,6 / 210 Rollei 1	000641	797,-	Apo-Symmar L 5,6 / 150 Copal 0
000446	1.970,-	Apo-Sironar S 5,6 / 210 Rollei 1	000643	1.015,-	Apo-Symmar L 5,6 / 180 Copal 1
000447	1.863,-	Apo-Symmar L 5,6 / 210 Rollei 1	000646	1.099,-	Apo-Symmar L 5,6 / 210 Copal 1
000448	1.798,-	Apo-Macro-Sironar 5,6 / 120 Rollei 0	000648	2.175,-	Apo-Symmar L 5,6 / 300 Copal 3
000449	2.714,-	Apo-Digitar 5,6 / 24 Rollei 0	000649	3.040,-	Apo-Symmar L 8,4 / 480 Copal 3
000450	2.188,-	Apo-Sironar-digital 4,5 / 35 Rollei 0	000680	1.161,-	Super-Angulon 6,8 / 90 Copal 0
000451	2.061,-	Apo-Sironar-digital 4,5 / 45 Rollei 0	000700	582,-	Apo-Sironar N 5,6 / 150 Copal 0
000452	2.109,-	Apo-Sironar-digital 4,5 / 55 Rollei 0	000702	881,-	Apo-Sironar N 5,6 / 210 Copal 1
000454	1.673,-	Apo-Sironar-digital 5,6 / 105 Rollei 0	000775	3.130,-	Technorama 612 Super-Symmar XL 4,5 / 80 Asph.
000455	1.729,-	Apo-Sironar-digital 5,6 / 135 Rollei 0	000776	2.631,-	Technorama 612 Apo-Symmar L 5,6 / 120
000456	1.760,-	Apo-Sironar-digital 5,6 / 150 Rollei 0	000777	2.737,-	Technorama 612 Apo-Symmar L 5,6 / 150
000457	1.920,-	Apo-Sironar-digital 5,6 / 180 Rollei 1	000778	2.949,-	Technorama 612 Apo-Symmar L 5,6 / 180
000458	2.160,-	Apo-Grandagon 4,5 / 35 Rollei 0	000830	1.217,-	Grandagon N 4,5 / 65 Copal 0
000459	2.463,-	Digitar L 2,8 / 28 Rollei 0	000833	1.295,-	Grandagon N 4,5 / 75 Copal 0
000460	1.981,-	Apo-Digitar XL 5,6 / 47 Rollei 0	000834	1.479,-	Grandagon N 4,5 / 90 Copal 1
000461	1.652,-	Apo-Digitar N 4,0 / 60 Rollei 0	000836	976,-	Grandagon N 6,8 / 90 Copal 0
000462	1.661,-	Apo-Digitar L 4,0 / 80 Rollei 0	000848	1.186,-	Makro-Symmar 5,6 / 120 Copal 0
000463	1.871,-	Apo-Digitar-Makro 5,6 / 80 Rollei 0	000850	1.414,-	Makro-Symmar 5,6 / 180 Copal 1
000464	1.598,-	Apo-Digitar N 4,5 / 90 Rollei 0	000861	641,-	Apo-Sironar S 5,6 / 100 Copal 0
000465	1.794,-	Apo-Digitar N 5,6 / 100 Rollei 0	000862	1.008,-	Apo-Tele-Xenar rear lens component 12 / 800
000466	1.692,-	Apo-Digitar N 5,6 / 120 Rollei 0	000863	821,-	Apo-Tele-Xenar rear lens component 9 / 600
000467	2.072,-	Apo-Digitar-Makro 5,6 / 120 Rollei 0	000864	3.291,-	Apo-Tele-Xenar 12 / 800 Copal 3
000468	2.031,-	Apo-Digitar N 5,6 / 150 Rollei 0	000866	3.103,-	Apo-Tele-Xenar 9,0 / 600 Copal 3
000469	2.129,-	Apo-Sironar-digital 5,6 / 70 Rollei 0	000868	1.183,-	Super-Angulon XL 5,6 / 58 Copal 0
000470	1.837,-	Apo-Macro-Sironar digital 5,6 / 120 Rollei 0	000873	1.635,-	Super-Angulon XL 5,6 / 90 Copal 0
000471	2.459,-	Apo-Sironar-digital HR 4,0 / 60 Rollei 0	000874	749,-	Apo-Sironar S 5,6 / 135 Copal 0
000472	2.923,-	Apo-Sironar-digital HR 4,0 / 35 Rollei 0	000876	772,-	Apo-Sironar S 5,6 / 150 Copal 0
000473	2.399,-	Apo-Sironar-digital HR 4,0 / 100 Rollei 0	000878	1.004,-	Apo-Sironar S 5,6 / 180 Copal 1
000474	1.580,-	Apo-Sironar S 5,6 / 100 Rollei 0	000880	1.090,-	Apo-Sironar S 5,6 / 210 Copal 1
000475	2.028,-	Makro-Symmar 5,6 / 120 Rollei 0	000882	1.711,-	Apo-Sironar S 5,6 / 240 Copal 3
000476	2.029,-	Apo-Grandagon 4,5 / 45 Rollei 0	000884	2.269,-	Apo-Sironar S 5,6 / 300 Copal 3
000477	1.688,-	Apo-Sironar S 5,6 / 135 Rollei 0	000886	2.560,-	Apo-Sironar S 6,8 / 360 Copal 3
000478	2.270,-	Super-Angulon XL 5,6 / 47 Rollei 0	000894	2.794,-	Technorama 612 Super-Angulon XL 5,6 / 58
000479	2.330,-	Super-Angulon XL 5,6 / 38 Rollei 0	000895	1.090,-	Apo-Grandagon 4,5 / 45 Copal 0
000480	2.076,-	Apo-Grandagon 4,5 / 55 Rollei 0	000897	1.428,-	Super-Angulon XL 5,6 / 47 Copal 0
000481	2.025,-	Super-Angulon XL 5,6 / 58 Rollei 0	000899	1.137,-	Apo-Grandagon 4,5 / 55 Copal 0
000482	2.979,-	Apo-Sironar-digital HR 4,0 / 180 Rollei 0	000901	1.547,-	Super-Angulon XL 5,6 / 72 Copal 0
000483	4.745,-	Apo-Sironar-digital HR 4,5 / 28 Rollei 0	000903	990,-	Makro-Symmar 5,6 / 80 Copal 0
000485	2.156,-	Grandagon N 4,5 / 65 Rollei 0	000905	1.148,-	Apo-Macro-Sironar 5,6 / 180 Copal 1
000486	2.389,-	Super-Angulon XL 5,6 / 72 Rollei 0	000909	3.057,-	Technorama 617 Super-Angulon XL 5,6 / 72
000487	2.234,-	Grandagon N 4,5 / 75 Rollei 0	000910	3.167,-	Technorama 617 Super-Angulon XL 5,6 / 90
000488	2.417,-	Super-Symmar XL 4,5 / 80 Asph. Rollei 0	000911	2.273,-	Technorama 617 Apo-Symmar 5,6 / 180
000489	1.832,-	Makro-Symmar 5,6 / 80 Rollei 0	000913	3.088,-	Technorama 617 Super-Symmar XL 5,6 / 110
000490	2.055,-	Apo-Digitar L 5,6 / 72 Rollei 0	000915	2.982,-	Technorama 617 Tele-Xenar 5,6 / 250
000491	2.477,-	Super-Angulon XL 5,6 / 90 Rollei 0	000919	1.150,-	Apo-Sironar-digital 5,6 / 90 Copal 0
000492	2.359,-	Grandagon N 4,5 / 90 Rollei 0	000921	859,-	Apo-Macro-Sironar 5,6 / 120 Copal 0
000493	1.915,-	Grandagon N 6,8 / 90 Rollei 0	000923	1.569,-	Super-Symmar XL 5,6 / 110 Copal 1
000494	1.711,-	Apo-Sironar S 5,6 / 150 Rollei 0	000925	2.006,-	Super-Symmar XL 5,6 / 150 Copal 1
000495	2.770,-	Super-Symmar XL 5,6 / 150 Rollei 1	000931	1.221,-	Apo-Grandagon 4,5 / 35 Copal 0
000496	1.521,-	Apo-Sironar N 5,6 / 150 Rollei 0	000940	4.768,-	Fine Art XXL 11 / 550 Copal 3
000497	2.333,-	Super-Symmar XL 5,6 / 110 Rollei 1	000941	3.820,-	Fine Art XXL 14 / 1100 Cylinder body with Slip-in Diaphragm
000524	2.703,-	Apo-Digitar XL 5,6 / 24 Schneider el. Integral	000942	3.885,-	Fine Art XXL 22 / 1100 Copal 3
000535	2.830,-	Apo-Digitar XL 5,6 / 35 Schneider el. Integral	000943	2.748,-	T 617 Shift Lens Super-Angulon XL 5,6 / 72 mm
			000944	2.961,-	T 617 Shift Lens Super-Angulon XL 5,6 / 90 mm
			000945	2.933,-	T 617 Shift Lens Super-Symmar XL 5,6 / 110 mm

PROFESSIONAL NET PRICES IN € WITHOUT VAT

Code	Euro	PRODUCTS
000950	1.249,-	Apo-Sironar-digital 4,5 / 35 Copal 0
000951	1.122,-	Apo-Sironar-digital 4,5 / 45 Copal 0
000952	1.170,-	Apo-Sironar-digital 4,5 / 55 Copal 0
000953	1.190,-	Apo-Sironar-digital 5,6 / 70 Copal 0
000954	734,-	Apo-Sironar-digital 5,6 / 105 Copal 0
000955	790,-	Apo-Sironar-digital 5,6 / 135 Copal 0
000956	821,-	Apo-Sironar-digital 5,6 / 150 Copal 0
000957	1.040,-	Apo-Sironar-digital 5,6 / 180 Copal 1
000958	1.213,-	Apo-Digitar L 5,6 / 72 Copal 0
000959	1.621,-	Digitar L 2,8 / 28 Copal 0
000960	1.139,-	Apo-Digitar XL 5,6 / 47 Copal 0
000961	810,-	Apo-Digitar N 4,0 / 60 Copal 0
000962	819,-	Apo-Digitar L 4,0 / 80 Copal 0
000963	1.029,-	Apo-Digitar-Makro 5,6 / 80 Copal 0
000964	756,-	Apo-Digitar N 4,5 / 90 Copal 0
000965	952,-	Apo-Digitar N 5,6 / 100 Copal 0
000966	850,-	Apo-Digitar N 5,6 / 120 Copal 0
000967	1.230,-	Apo-Digitar-Makro 5,6 / 120 Copal 0
000968	1.189,-	Apo-Digitar N 5,6 / 150 Copal 0
000969	1.197,-	Tele-Xenar 5,6 / 250 Copal 1
000970	898,-	Apo-Macro-Sironar-digital 5,6 / 120 Copal 0
000971	1.531,-	Apo-Sironar-digital HR 4 / 60 Copal 0
000972	1.994,-	Apo-Sironar-digital HR 4 / 35 Copal 0
000973	1.470,-	Apo-Sironar-digital HR 4 / 100 Copal 0
000974	1.204,-	Apo-Digitar T 5,6 / 180 Copal 0
000975	2.046,-	Apo-Digitar T 5,6 / 180 Rollei 0
000976	1.956,-	Apo-Digitar T 5,6 / 180 Schneiderl el.0
000977	1.518,-	Apo-Digitar T 5,6 / 210 Copal 1
000978	2.282,-	Apo-Digitar T 5,6 / 210 Rollei 1
000979	2.192,-	Apo-Digitar T 6,8 / 210 Schneider el.0
000980	3.816,-	Apo-Sironar-digital HR 4,5 / 28 Copal 0
000981	2.040,-	Apo-Sironar-digital HR 5,6 / 180 Copal 0

LENSBOARDS

001001	76,-	Flat Lensboard 23 with center hole
001013	76,-	Flat Lensboard 45 with center hole
001015	216,-	Rec. Lensboard 45, Copal 0 w. cable release socket
001017	113,-	Flat Lensboard 45, Compur 0
001026	82,-	Flat Lensboard 45, Comp /Copal 1/ Prontor 01S / 1S
001035	230,-	Rec. Lensboard 45, Copal 0 w. cable release socket
001036	505,-	Rec. Technika Lensboard with helical focus mount for Super-Angulon XL 5,6 / 38
001037	505,-	Rec. Technika Lensboard with helical focus mount for Super-Angulon XL 5,6 / 47
001038	505,-	Rec. Technika Lensboard with helical focus mount for Super-Angulon XL 5,6 / 58
001040	92,-	Flat Lensboard 57 with center hole 8 mm (Rodenstock 45)
001045	126,-	Flat Lensboard 45, MT 3000, with center hole 8 mm (Rodenstock 45)
001047	184,-	Rec. Lensboard 45, Copal 0 w. cable release socket
001058	237,-	Flat Lensboard 23 w. tube Compur/Copal/Prontor 3
001059	82,-	Flat Lensboard 45 Compur/Prontor 3
001070	217,-	Technika Reducing Lensboard Adapter 45 / 23
001080	80,-	Flat Kardan Lensboard with hole size 0
001081	80,-	Flat Kardan Lensboard with hole size 1
001083	80,-	Flat Kardan Lensboard with hole size 3
001087	140,-	Flat Kardan Lensboard Adapter 45
001088	163,-	Flat Kardan Lensboard Adapter 23
001090	184,-	Recessed Kardan Lensboard with hole size 0
001091	184,-	Recessed Kardan Lensboard with hole size 1
001092	184,-	Recessed Kardan Lensboard Adapter 23
001093	229,-	Recessed Kardan Lensboard Adapter 45
001094	201,-	Kardan Lensboard double recessed
001100	272,-	Adapter Linhof M 679 for Technika 45 Lensboards
001101	282,-	Adapter Linhof Kardan for M 679
001102	282,-	Adapter Sinar / Horseman for M 679
001103	282,-	Adapter Cambo for M 679
001104	168,-	Adapter plate for Hasselblad Finder
001105	229,-	Adapter plate for Acra Swiss Bino Tube for Linhof M 679
001105-S	236,-	Adapter plate for Acra Swiss Bino Tube for Linhof M 679
001106	83,-	Flat Lensboard 23 Compur/Copal 1

Code	Euro	PRODUCTS
001119	80,-	Flat Lensboard 45 Copal 3
001120	115,-	Flat Lensboard 45 Copal 0, w. cable release socket
001121	115,-	Flat Lensboard 45 Copal 1, w. cable release socket
001124	115,-	Flat Lensboard 23 Copal 0, w. cable release socket
001126	115,-	Flat Lensboard 45 Compur 1, w. cable release socket
001138	184,-	Flat Lensboard 45, MT 3000 Schneider 38 XL
001143	76,-	Flat Lensboard 45 Compur / Copal 0
001147	126,-	Flat Lensboard 45, MT 3000, 47 XL Copal 0, with cable release socket
001148	169,-	Flat Lensboard 45, MT 3000, 58 XL Copal 0, with cable release socket
001153	92,-	Recessed Lensboard 45, Center Hole
001158	108,-	Flat Lensboard 23 Copal 0, w. cable release socket
001159	169,-	Lensboard 45 with spacer tube
001160	83,-	Flat Lensboard M 679 with hole size 0
001161	83,-	Flat Lensboard M 679 with hole size 1
001163	118,-	Recessed Lensboard M 679 with hole size 0
001164	135,-	Recessed Lensboard M 679, with hole size 1 / Rollei Shutter
001173	83,-	Flat Lensboard M 679 with hole size 3
001174	164,-	Double Rec. Lensboard M 679, with hole size 1 / Rollei Shutter
001175	155,-	3x recessed Lensboard M 679, with hole size 0
001176	149,-	Double Recessed Lensboard M 679 with hole size 0
001177	171,-	3x recessed Lensboard M 679, with hole size 1 / Rollei Shutter
001178	221,-	4x recessed Lensboard M 679, with hole size 0

FINDERS AND ACCESSORIES

001301	524,-	Technorama Viewfinder 617s III f 72
001302	524,-	Technorama Viewfinder 617s III f 90
001303	524,-	Technorama Viewfinder 617s III f 180
001304	524,-	Technorama Viewfinder 617s III f 250
001306	524,-	Technorama Viewfinder 617s III f 110
001310	669,-	Technorama Viewfinder 612 f 58 / 120
001311	669,-	Technorama Viewfinder 612 f 80 / 150
001312	669,-	Technorama Viewfinder 612 f 180
001373	796,-	Multifocus Optical Viewfinder 23M w. mask 6x9 cm
001378	796,-	Multifocus Optical Viewfinder 45F w. mask 4x5
001379	72,-	Optical Finder Mask 45 / 9x12 cm
001381	72,-	Optical Finder Mask 45 / 6x9 cm
001382	72,-	Optical Finder Mask 45 / 6x7 cm
001385	72,-	Optical Finder Mask 45 / 4x5
001389	72,-	Optical Finder Mask 23 / 6x9 cm
001397	72,-	Optical Finder Mask 23 / 6x7 cm
001444	72,-	Optical Finder Mask 45 / 6x12 cm
001447	796,-	Multifocus Optical Viewfinder 45M w. mask 4x5
001448	72,-	Optical Finder Mask 45 / 6x7 (Rapid Rollex)

FILM HOLDERS / ROLLFILM BACKS

001459	995,-	Super Rollex 45 / 6x7 cm
001460	995,-	Super Rollex 23 / 6x7 cm
001462	691,-	Insert Super Rollex 220 / 6x7
001467	691,-	Insert Super Rollex 120 / 6x7
001523	995,-	Super Rollex 45 / 6x9 cm
001524	995,-	Super Rollex 23 / 6x9 cm
001525	691,-	Insert Super Rollex 120 / 6x9 cm
001560	1.620,-	Techno Rollex 45 / 6x12 cm
001565	198,-	Hasselblad V Digi Adapter 23
001566	680,-	Rapid Rollex 23 / 6x7 cm
001567	680,-	Rapid Rollex 45 / 6x7 cm

BACKS AND REDUCING FRAMES

001611	350,-	Basic Lighthood 6x9
001612	254,-	Folding Focusing Hood 45 (metric/feet table)
001613	196,-	Folding Focusing Hood 23 (metric table)
001614	781,-	Technika Universal Back 45M (metric/feet table)
001615	298,-	Groundglass Frame 45
001616	302,-	Revolving Frame 45
001617	668,-	Quickchange Back 23 Technika/TK
001618	1.824,-	Rapid Change Adapter Slide for Master Technika
001630	654,-	Kardan Groundglass Back 45
001640	680,-	Groundglass Back T 617s III
001644	14,-	Groundglass Mask 45 / 24x36

PROFESSIONAL NET PRICES IN € WITHOUT VAT

tel. +49 89/72 492 -0 fax +49 89/72 492 -250 info@linhof.de www.linhof.de



Code	Euro	PRODUCTS
001645	14,-	Groundglass Mask 45 / 37x37
001646	14,-	Groundglass Mask 45 / 4x5 cm
001647	14,-	Groundglass Mask 23 / 24x36
001648	14,-	Groundglass Mask 23 / 37x37
001649	14,-	Groundglass Mask 23 / 4x5 cm
001650	1.380,-	Technorama 617 Shift Adapter for f 72, 90, 110 mm
001666	upon request	Polaroid Filmpack Back 23, mod. 405
001675	281,-	Camera Back Frame GTL 45
001684	137,-	Adapter for Arca Suisse Bino Tube 23 for TK 23
001691	185,-	Universal Digi Adapter 23 for camera Adapter Plates
001692	upon request	Polaroid Back M 679
001693	198,-	Hasselblad V Digi Adapter f.Intern. Univ. Back (Type Graflok)
001694	341,-	M 679 Adapter for Hasselblad backs
001695	411,-	M 679 Multi-Adapter
001696	224,-	M 679 Adapter for Mamiya RZ backs
001697	317,-	M 679 Universal Adapter for Camera Adapter Plates
001698-S	399,-	M 679 Groundglass back
001700	400,-	Adapter plate for Hasselblad V
001701	400,-	Adapter plate for Hasselblad H 1 AF
001702	400,-	Adapter plate for Mamiya 645 AF / AFD
001703	400,-	Adapter plate for Contax 645

COUPLING PACKAGES

001711	124,-	Coupling Cost ST 23
001712	247,-	Coupling Cost ST 23, customer-owned lens
001716	124,-	Coupling Cost MT 45
001717	247,-	Coupling Cost MT 45, customer-owned lens
001718	87,-	Conversion set MT for use of Adapter Slide
001719	195,-	Conversion set MT classic drop bed struts
001743	580,-	Conversion set T 617 XL 5,6 / 72 for Shift Adapter
001744	590,-	Conversion set T 617 XL 5,6 / 90 for Shift Adapter
001745	650,-	Conversion set T 617 XL 5,6 / 110 for Shift Adapter

LENS SHADES, COMPENDIUMS, LENS PROTECTION RINGS

001901	191,-	Protection Ring for SA XL 5,6/72 and 5,6/90 (old)
001903	191,-	Protection Ring for SA XL 5,6/72 and 5,6/90 (new)
001904	262,-	Protection Ring for Tele-Xenar 5,6/250
001905	191,-	Protection Ring for SS XL 5,6 / 110
001926	299,-	Compendium Lensshade Master Technika 45
001927	299,-	Compendium Lensshade Kardan re, E, GT
001931	299,-	Compendium Lensshade TK 23 + 45
001932	76,-	Vignetting Mask Holder for Comp. + 4 masks
001933	190,-	Compendium Filter Holder M 95x1/ 10x10 cm
001934	395,-	Compendium for RD 1 without Filter Holder
001939	627,-	Basic Compendium Lensshade M 679
001940	878,-	Pro Compendium M 679
001941	336,-	Filter Holder M 679
001942	325,-	Vignetting Mask Holder M 679
002013	30,-	Filter Folding Frames (set of 3) 10x10 cm / 4x4 in

CABLE RELEASES

002429	21,-	Cable release 340 mm, T-lock + turning nipple
002430	23,-	Cable release 430 mm, T-lock + turning nipple
002431	23,-	Cable release 530 mm, T-lock + turning nipple
002434	25,-	Cable release 750 mm, T-lock + turning nipple
002440	27,-	Cable release 530 mm, T-lock + special unthreaded nipple for cable release quicksocket
100247	23,-	Cable release extension 100 mm for Copal
100802	23,-	Cable release extension 50 mm for Copal/Compur
100811	23,-	Cable release extension 100 mm for Prontor Prof.

MISCELLANEOUS ACCESSORIES

002503	367,-	Focusing Bellows 45
002504	349,-	Focusing Bellows 23
002505	453,-	Focusing Bellows 57
002507	397,-	Right Angle Reflex Attachment 57
002512	295,-	Anatomical Grip 23, left
002522	111,-	Fresnel Screen 45
002523	92,-	Fresnel Screen M 679
002549	295,-	Anatomical Grip 45, left, with 17 in. cable release
002552	295,-	Anatomical Grip right
002566	92,-	Fresnel Screen 23

Code	Euro	PRODUCTS
002584	375,-	Kardan Wide Angle Bellows 45 (210 mm / 8.5 in.)
002599	28,-	Dual Spirit Level
002606	67,-	Set of 85 mm/3.3 in. Ext. Rods for increased rise re/E/GT
002619	781,-	Kardan Wide Angle Bellows 810 (330 mm / 13 in.)
002628	450,-	Right Angle Reflex Attachment 45
002629	285,-	Right Angle Reflex Attachment 23
002638	20,-	Holder for Fresnel screen 4x5 (set)
002676	649,-	Camera Back Frame Kardan GT 45
002696	1.121,-	Kardan Normal Bellows GT 810 (750 mm / 29.5 in.)
002708	372,-	Auxiliary Standard GTL
002714	244,-	Normal Kardan Bellows 45 (500 mm / 20 in.)
002723	357,-	Wide-Angle Bellows TK 45
002724	204,-	Wide-Angle Bellows TK 23
002725	229,-	Normal Bellows TK 23
002726	377,-	Normal Bellows TK 45
002728	129,-	Bellows Support GTL
002730	296,-	Long Monorail GT 600-800 mm / 24-32 in.
002733	126,-	Bellows Support Kardan GT
002735	514,-	Focusing Bellows 810
002738	224,-	Long Monorail GTL 900 mm / 35.5 in.
002740	174,-	Tele/Macro Bracket for TK 23
002741	174,-	Tele/Macro Bracket for TK 45
002753	217,-	Normal Bellows M 679 (spare)
002754	320,-	Wide Angle Bellows M 679
002757	344,-	Magnifier Viewing System 8x8 for Basic Lighthood / M 679
002763	273,-	Basic Lighthood M 679
002763-S	273,-	Basic Lighthood M 679
002765-S	1.337,-	Universal Rapid Change Adapter Slide M 679 - 24x36 / 36x63
002766-S	1.337,-	Universal Rapid Change Adapter Slide M 679 - 37x37 / 37x71 and format 37x49 / 49x71
002769	61,-	Flexible shafts for M 679cs shift (2 pieces)

ACCESSORY STANDS, COPY EQUIPMENT

003006	4.990,-	LED Repro lightbox 100, 30x40 cm, 5500 K
003007	5.990,-	LED Repro lightbox 200, 30x40 cm, 5500 K
003011	668,-	Halogen Copy Light Set
003013	1.898,-	TECHNOPRO I, 65x70 cm / 25x27 in.
003015	1.945,-	TECHNOPRO II, 80x90 cm, height 180 cm
003018	179,-	Steel Table for Technopro I, II and III
003090	1.950,-	Book Copying Easel 34x50 cm / 14x20 in.
003235	59,-	Metal Loading Plate 32x48 cm/12.5x19 in. f.003090

TRIPODS

003317	399,-	Twin Shank Pro Tripod Expert 81/186 cm
003323	1.081,-	Heavy Duty Pro, 91/155 cm
003333	430,-	Twin Shank Pro Tripod P, 81/186 cm
003414	199,-	Lightweight Pro Tripod, 3-sect., 65/190 cm
003431	1.590,-	Studio Stand II, 80/150 cm / 31.5 x 49 in.
003450	218,-	Profi-Port II Tripod, 43/146 cm
003454	1.215,-	Profi-3 Tripod, 72/187 cm
003460	3.555,-	Linhof Digi Repro
003461	235,-	Floor guide rail ext. for Digi Repro 3,00 m
003462	upon request	Linhof Master Digi Repro System
003465	6.200,-	Sturomatic II, 280 cm, w. acc. tray
003467	2.850,-	Sturomatic I, 220 cm 220 cm / 110 in. w. acc. tray
003469	229,-	Lightweight Pro Tripod P, 3-sect, 65/168 cm

TRIPOD HEADS

003650	350,-	Profi Ballhead III, 90 mm base
003659	198,-	Large Levelling Head 3/8", 77 mm base
003663	385,-	3-Way Levelling Head I, 77 mm base
003664	198,-	Large Levelling Head 1/4", 77 mm base
003667	445,-	Levelling Pan/Tilt Head, 77 mm base
003668	461,-	Levelling Pan/Tilt Head, 90 mm base
003669	910,-	Profi 3 Universal Pan/Tilt Head, 90 mm base
003672	2.575,-	Precision Micro Cradle Head, 90 mm base
003675	335,-	Profi Ballhead III, 80 mm base
003676	215,-	Profi Ballhead II, 63 mm base
003677	99,-	Universal Ballhead I, 49 mm base
003679	299,-	Profi Ballhead II Q, 63 mm base
003680	430,-	Profi Ballhead III Q, 80 mm base

PROFESSIONAL NET PRICES IN € WITHOUT VAT

Code	Euro	PRODUCTS
003681	64,-	Universal Ballhead 01, 40 mm base
TRIPOD ACCESSORIES		
003753	14,-	Large Top Plate 77 mm dia.
003755	499,-	Large Geared Centerpost for tripod 003323
003769	10,-	Small Camera Screw 1/4"
003773	10,-	Small Camera Screw 3/8"
003774	13,-	Large Camera Screw 1/4"
003775	13,-	Large Camera Screw 3/8"
003776	340,-	R/A Outrigger Adapter Profi 3 + HD Pro Tripod
003833	65,-	Center Column 35 mm dia. w. quickchange plate 77 mm
003845	11,-	Small Top Plate 42 mm dia.
003850	106,-	HD Accessory Platform 30x42 cm, 3/8"-bushing
003852	119,-	Accessory Tray 30x40 cm / 12x16 in. 3/8"-bushing
003853	60,-	Quickchange plate for levelling heads 003667/68
003856	60,-	Quick-Change Plate (spare) f. Profi 3 Head 003669
003857	118,-	Outrigger arm for 003431
003863	197,-	Clamp Mount 90 w/dovetail fitting for Studiomatic
003864	134,-	Camera Top Plate 3/8" w/dovetail for Studiomatic
003865	497,-	High/Low Outrigger with turnable clamp mount 90
003866	98,-	Dovetail Retaining Bracket for Studiomatic
003867	140,-	Clamp Mount 90 w/screw-on fitting
003870	106,-	Camera Top Plate 90 w/screw-on fitting 3/8
003871	10,-	Support Plate for Top Plate 77 mm
003872	78,-	Add. Counterweight 5 kg / 11 lb. for Studiomatic I
003874	97,-	Quickfix I Tripod Connector
003875	25,-	Quickfix I Adapter Plate (spare)
003876	99,-	Quickfix II Tripod Connector
003877	26,-	Quickfix II Adapter Plate (spare)
003878	25,-	Quickfix I Adapter Plate for 35 mm cameras
003901	33,-	Format dial M 679cc for format 6x6 - 6x8
003902	33,-	Format dial M 679cc for 3x3
003903	33,-	Format dial M 679cc for 6x9
003905	33,-	Format dial M 679cs for format 6x6 - 6x8
003906	33,-	Format dial M 679cs for format 3x3
003907	33,-	Format dial M 679cs for format 6x9
003908	33,-	Format dial M 679cs for format 24x36
003909	33,-	Format dial M 679cs for format 33x44
003910	33,-	Format dial M 679cs for format 36x48
SPECIAL BACKS / HOLDERS		
021458*	upon request	Polaroid Cutfilm Holder 545 Pro 4x5
021468*	upon request	Fidelity Double Cutfilm Holder 8x10
021470*	upon request	Fidelity Double Cutfilm Holder 5x7
021471*	upon request	Polaroid 405 Packfilm Holder
021477*	upon request	Polaroid 550 Packfilm Holder 4x5
021479*	upon request	Standard Double Cutfilm Holder 4x5
GROUNDGLASSES / SCREENS		
021802	56,-	Groundglass 57 / 13x18 / cm-grid / scoring 5x7 in.
021804	16,-	Groundglass 45 without scoring
021805	36,-	Groundglass 45 / cm-grid / scoring 9x12 cm
021807	35,-	Groundglass 23 / cm-grid / scoring 6x7 cm
021808	72,-	Groundg. 57/13x18 / cm-grid / scoring 5x7 in. / clear center spot
021812	47,-	Groundglass 45 / cm-grid /scoring 9x12 / clear center spot
021813	46,-	Groundglass 23 / cm-grid / scoring 6x7 / clear center spot
021816	150,-	Groundglass 810 / cm-grid
021822	127,-	Fresnel Screen 57 / 13x18
021830	72,-	Groundglass 57 / cm-grid, AMS mm scale
021831	47,-	Groundglass 45 / scoring 9x12, AMS mm scale
021833	50,-	Groundglass scoring 3x3 M 679
021833-S	50,-	Groundglass scoring 3x3 M 679
021834	50,-	Groundglass scoring 6x6 M 679
021834-S	50,-	Groundglass scoring 6x6 M 679
021835	50,-	Groundglass scoring 6x7 M 679
021835-S	50,-	Groundglass scoring 6x7 M 679
021836	50,-	Groundglass scoring 6x8 M 679
021836-S	50,-	Groundglass scoring 6x8 M 679
021837	50,-	Groundglass scoring 24x36 / 36x63 M 679
021837-S	50,-	Groundglass scoring 24x36 / 36x63 M 679

Code	Euro	PRODUCTS
021838	50,-	Groundglass scoring 37x37 / 37x71 M 679
021838-S	50,-	Groundglass scoring 37x37 / 37x71 M 679
021839	50,-	Groundglass scoring 72x88 M 679
021840	50,-	Groundglass scoring 37x49 / 49x71 M 679
021840-S	50,-	Groundglass scoring 37x49 / 49x71 M 679
021841	50,-	Groundglass scoring 33x44 M 679
021841-S	50,-	Groundglass scoring 33x44 M 679
021842-S	50,-	Groundglass scoring 6x9 M 679
021843-S	482,-	Acute Groundglass scoring 37x49 / 37x37 M679cs
021844-S	482,-	Acute Groundglass scoring 33x44 M679cs
FILTER		
022141	184,-	Center Filter II, M 52 - SA 5,6 / 47
022185	101,-	Filter R 1,5 M 95x1
022193	136,-	Filter R 1,5 M 105x1
022259	175,-	Polarizing Filter M 95x1
022260	175,-	Polarizing Filter M 105x1
022282	272,-	Center Filter IIIB, M 67 - SA 5,6/58 XL + SA 8 / 90 and SS 4,5 / 80 ASPH + SS 5,6 / 110 XL
022283	417,-	Center Filter IVA, M 95x1 - SA 5,6 / 90 XL + 150 XL
022284	783,-	Center Filter VI, M 135x1 - SS 5,6 / 210 XL
022285	191,-	Center Filter IIF, M 52 - Apo-Digital 5,6 / 35 XL
022291	338,-	Center Filter M 82 - GRAN N 4,5 / 90 + 6,8 / 115
022292	206,-	Center Filter M 58 - GRAN N 4,5 / 65 + 6,8 / 75
022293	276,-	Center Filter IIA, M 72 - SA 5,6 / 38 XL
022300	276,-	Center Filter IIIC, M 67x0,75 - SA 5,6 / 47 XL
022301	346,-	Center Filter M 67 - A-GRAN 4,5 / 35 / 45 / 55
022302	412,-	Center Filter IVB, M 95x1 - SA 5,6 / 72 XL
022303	191,-	Center Filter IID, M 52 - Apo-Digital 5,6 / 24 XL
022305	277,-	Center Filter IIID, M 82 - SA 6,8 / 90
022306	227,-	Center Filter M 67 - GRAN N 4,5 / 75 + 6,8 / 90
022307	191,-	Center Filter IIB for 5,6 / 24 XL integral
022308	191,-	Center Filter IIG, for 5,6 / 35 XL integral
CAMERA CASES		
022457	494,-	Aluminum Case Master Technika (44x44x18 cm)
022471	296,-	Aluminum Case Technorama 612pc II
022481	366,-	Aluminum Case Technikardan 23 / 45
022489	380,-	Aluminum Case Technorama 617s III
022491	115,-	Systainer M 679
022492	168,-	Systainer II M 679 for Accessories
022495	163,-	Aluminum Case for Schneider Tele-Xenar
022496	485,-	Universal-Photobag Master Technika (König)
022497	485,-	Universal-Photobag Technorama 612/617 (König)
SCHNEIDER ELECTRONIC SHUTTER		
022500*	954,-	Schneider Electronic Shutter 0 NK0-118/119
022506*	33,-	PX21 Battery 4,5 V for Compur Electronic Shutter
022515*	127,-	Powersupply NK-O 118/119 for Schneider el. Shutter
022516*	150,-	Adapter Cable NK0-118 for Jenoptik Eyelike
022517*	268,-	Adapter Cable NK0-118 for Imacon Ixpress
022518*	150,-	Adapter Cable NK0-118/119 for Eyelike / Sinar emotion
022520*	687,-	Schneider Shuttercontrol for NK0-118/119
022524*	69,-	SC-Power Supply and Charger for Shuttercontrol + 3 batteries NiMH
022525*	8,-	Single Battery NiMH, (3 x necessary)
022526*	44,-	SC Power Supply without battery
022527*	113,-	SC-ES Cabel for Shuttercontrol Eyelike
022528*	113,-	SC-Imacon Ixpress, Control Cable for Shuttercontrol
022529*	59,-	SC Cable Hasselblad Interface
022532*	742,-	USB Interface (complete)
022533*	8,-	USB Cable, 5 m (spare)
022534*	22,-	Shutter Release Cable with Key (spare)
022535*	27,-	Synchro Cable (spare)
GENERAL ACCESSORIES		
022561	198,-	Fresnel Screen 810
022607	58,-	Filter Holder for Filter Foils 7,5 x 7,5 cm
022610	43,-	Camera Neck Strap 23 for ST V, Technorama, MT
022612	149,-	Magnifier 3x, Schneider
022613	90,-	Magnifier 4x, aspherical, Linos / Rodenstock
022614	189,-	Magnifier 6x, aspherical, Schneider

PROFESSIONAL NET PRICES IN € WITHOUT VAT

tel. +49 89/72 492 -0 fax +49 89/72 492 -250 info@linhof.de www.linhof.de



Code	Euro	PRODUCTS
022615	102,-	Magnifier 4x, Schneider
022616	159,-	Magnifier 10x, Schneider
022617	215,-	Magnifier 10x with light, Schneider
022618	69,-	Glass reticle scale
022619	175,-	Magnifier 3x (6x6) aspherical Linos / Rodenstock
022620	98,-	Linhof Focusing Cloth
022621	49,-	Linhof Magnifier Adapter for Groundglass Back T 617
ROLLEI ELECTRONIC SHUTTER		
022700*	1.044,-	Rollei Electronic Shutter, size 0
022701*	1.044,-	Rollei Electronic Shutter, size 1
022710*	985,-	Rollei LensControl
022711*	98,-	Nicad Battery for Rollei LensControl
022712*	148,-	Rollei Rapid Charger
022713*	35,-	Rollei Charger Cable for LensControl
022714*	258,-	Rollei Power Interface
022715*	35,-	Rollei Powersupply for Power Interface
022716*	98,-	Rollei Digital Connecting Cable
022720*	649,-	Adapter Bajonett Universalsystem 6000
022721*	182,-	Control cable Phase One Light Phase H20
022767	30,-	Profi Cable Release 700 mm
022777	98,-	Spare Connector Cable for Control Unit 022760
022780	28,-	Flash contact angled
023050	27,-	Halogen lamp 220 V / 150 W, G 635
TRIPOD CASES		
023304	44,-	Tripod Case for Lightweight Pro Tripod
023305	56,-	Tripod Case for Lightweight Pro Tripod
023308	196,-	Tripod Case for HD Pro + Profi 3 Tripod
023309	199,-	Tripod Case for HD Pro Tripod with centerpost
023313	70,-	Tripod Case for Twin Shank Pro, length 97cm /38 in.
023321	55,-	Tripod Case for Profi-Port
BOOKS, ETC.		
025025	33,-	LINHOF CAMERA STORY (Book)
025027	upon request	IMAGE CIRCLE (Book)
025028	23,-	50°, IMAGES OF TWO HEMISPHERES (Book)
025104	5,-	Operating Manual M 679cs German
025105	5,-	Operating Manual M 679cs English
025130	20,-	Lens Tilt and Swing / Depth-of-Field Calculator
025225	11,-	LINHOF OUTDOOR PHOTOGRAPHY (Book)
ACCESSORIES		
004262	2,-	Reducing Bushing 3/8 to 1/4"
031482	40,-	Flat Tripod Top Plate 90 - 3/8"
032965	40,-	Flat Tripod Top Plate 90 - 1/4"
032933	327,-	Super Rollex Housing 23 / 6x9
032974	327,-	Super Rollex Housing 45 / 6x9
032990	327,-	Super Rollex Housing 45 / 6x7
033200	327,-	Super Rollex Housing 23 / 6x7
041066	4,-	Screw-on nipple for cable release for quicksocket
051644	20,-	Large Camera Screw 1/4" for 003663
052709	20,-	Large Camera Screw 3/8" for 003663
056084	4,-	Retaining Screws Quickfix 3/8"
056325	4,-	Retaining Screws Quickfix 1/4"
064924	454,-	Adapter for Anagramm Scanning Back

Code	Euro	PRODUCTS
SPARES		
034128	3,-	Rubber Foot for tripod 003414, 003333
004508	1,-	Washer (3x) for 034128
035544	3,-	Rubber Foot for tripod 003323, 003454
035545	3,-	Rubber Holder for Rubber Foot 035544
004555	1,-	Washer (3x) for Rubber Foot 035544
058129	112,-	Retaining Adapter (spare) for 001931
058272	112,-	Retaining Adapter (spare) for 001926
058277	112,-	Retaining Adapter (spare) for 001927
LINHOF SHOP		
025017	6,-	Linhof VIP Band
025020	4,-	Linhof Ball Pen
025021	2,-	Linhof Bag
025022	6,-	Linhof Cup
025023	10,-	Needle Linhof Crests
SILVESTRI ACCESSORIES FOR M 679		
S-24011	187,-	Groundglass Silvestri 6x9
S-25010	224,-	Focusing Bellows with Magnifier /Silvestri 6x9
S-25030	467,-	Right Angle Attachment /Silvestri 6x9
S-25050	77,-	Magnifier 6x Silvestri, inclination 45°
SURCHARGE FOR MINIMUM ORDER		
089000		For orders of less than 15,- € a surcharge of the difference to 15,- € will be levied (not for books).

PROFESSIONAL NET PRICES IN € WITHOUT VAT

THE LINHOF CAMERA STORY

The second edition of the Linhof Camera Book. This publication shows in many pictures and comments the development of Linhof cameras starting with the first Technika up to our today's designs. A "must" for all Linhof-photographers, collectors or people generally interested in photography.

Day and night inquiries are reaching Linhof in Munich from all over the world – by mail, fax, phone or Internet:

What's the year of production of my camera? What's the difference in my Linhof compared to later models of the same type? Can I use modern accessories including digital backs? These are some of the questions raised by professionals, discriminating amateurs, photo dealers and camera collectors.

The Linhof history is dating back more than 115 years now. Thousands of photographers worldwide are presently using new or previously owned Linhof cameras. Thousands of collectors are still storing their "old" cameras in show cases.

The first edition of this book was introduced at the 1990 photokina. The idea was to assemble available data, models and illustrations into a clear and informative account.

The authors Hans Bluth and Gert Schlegel searched through files, brochures, camera archives, leaflets, photo albums, reviews - and of course their own memory.

They came up with details of over 70 camera models, of overlapping production periods that

DAS LINHOF KAMERA BUCH



defied any attempt at progressive arrangement. For Linhof's history branches in every direction.

The authors therefore chose to start from the present – the current state as at photokina 1990 – and trace the strands back to the Proto-Technika of 1934. An appendix summarises prehistory, back to the turn of the century. Not so much a chronicle, it is, in its way, a link between the last century's craftsmanship and the next century's technology.

This second edition of the Linhof Camera Book is complemented by new developments and tailor-made products of the last decade thus combining a long history with the technique of the new millenium. The book now also contains the seven new camera systems designed and produced after photokina 1990.

THE LINHOF CAMERA STORY
(English and German)

025025 33,-

IMAGE CIRCLE

A Linhof book featuring image circle, images and camera adjustments (German language).

"How to realize the image circle best?"

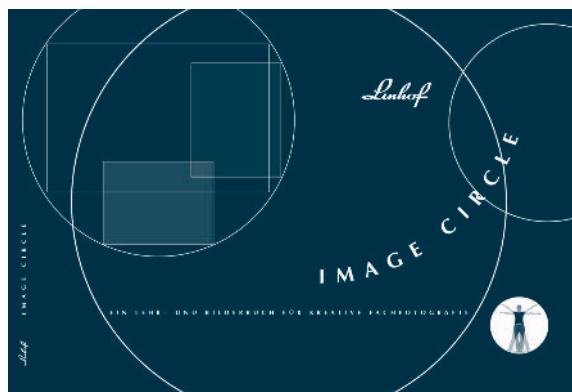
"Which camera technique offers optimum results?"

"What is my personal image circle ?"

In as much as the international image market reveals a revival of large format photography the young photographers look for carefully composed "stand-alone" image photography created with the aid of adjustable view cameras - analogue or digital.

Following the most successful book „OUTDOOR PHOTOGRAPHY“ Linhof has released a new publication describing the many outstanding possibilities of view camera systems also by demonstrating camera adjustment techniques.

Shifts, tilts, depth of field, Scheimpflug, Anti-Scheimpflug, the use of lenses - and of course the image circle - are only a few of the topics of this book. Comments of professional photo journalists



and many illustrations are rounding off this remarkable publication. Many artists and professional photographers show their classical or unconventional images.

The more than 120 pages of this 4-colour printed book is not all a tedious script of theories but an exciting offer for all who work with view camera systems privately or professionally.

IMAGE CIRCLE / Book (German) 025027 upon request

OUTDOOR PHOTOGRAPHY

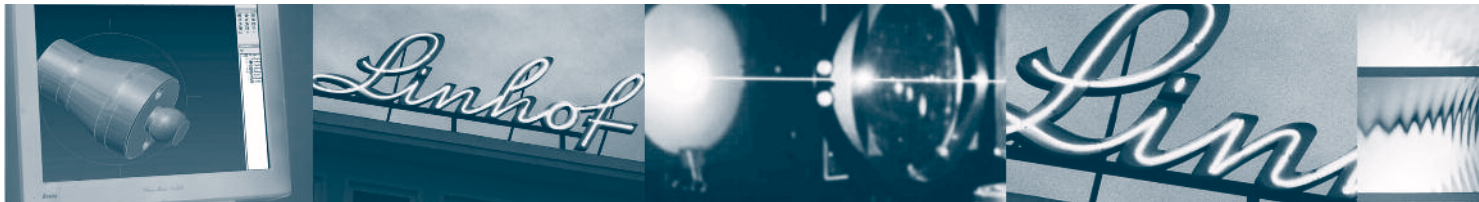
In 72 pages, German/ English, 4-colour, Pros shows their outdoor shots with Linhof cameras. The heretical question is: "The End of Large Format Photography?" As rebuttal the book contains classic and modern picture concepts showing the power and authentic reality of the large format.

LINHOF OUTDOOR PHOTOGRAPHY 025225 11,-



LINHOF SHOP

025017	6,-	Linhof Vip-Band
025020	4,-	Linhof Ball Pen
025021	2,-	Linhof Bag
025022	6,-	Linhof Cup
025023	10,-	Needle Linhof Crests



LINHOF OPTISCHE SYSTEMTECHNIK

LINHOF TECHNOLOGIES

Best equipped with most modern technology in development, production and research Linhof offers in all technological areas such as optics, micro-mechanics and digital-electronics complete solutions.

Linhof is an approved partner. Beginning with the product idea, followed by the product development and finally the mass production, Linhof provides the entire manufacturing process.

Linhof offers a wide range of complex optical systems. Well founded specialist knowledge and expertise assure high flexibility and diversity.

OUR OFFER

- Consultation, development and production of complete optomechanical systems
- Consultation, development and production of complete optoelectronic systems, components, instruments and constructions
- Holographic products
- Determination, production of holographic optical elements (HOE), customized or mass produced in purpose built laboratories
- Conversion of complex optical installations and procedures into industrial fields of applications, engineering and project management

PRODUCTS

- Displays
- HOEs
- Special surface structures
- Testing instruments

When interested please contact our team at any time, detailed information may be found under separate cover.





LINHOF PRECISION ENGINEERING ON MORE THAN 50 DIFFERENT CNC-ROBOTS AND AUTOMATIC MACHINES

- Lathe tooling on fully automatic CNC-lathing machines, c-axis, double spindle, reverse and complete machining, automated feeding.
- Milling work and fully automatic CNC-working centres horizontal, vertical, round tables, disc changer, complete working, computer integrated manufacturing.
- Grinding work, fully automatic round and flat grinding.
- Welding WIG, MAG, arc welding, automatic welding solder.
- Bending, punching, polishing, laquering, grinding, plasma oxy-acetylene-cutting, sandblasting, shoving, stamping, engraving.
- Lasering and additional working.

ELECTRONIC DEVELOPMENT, PRODUCTION AND COMPILATION

- Development and production of integrated electronic circuits and controlling.
- Own processing system including var. BUS-technology.
- Fitting platines, SMD –technology.
- SPS-applications and adaption.

PRECISION MECHANICAL ASSEMBLY AS SERVICE

- Production of optical assemblies like scanner, precision parts, etc.
- Production of medical device.
- Installation / production of measuring systems.

Linhof

1. DELIVERY

All orders, confirmations, deliveries and shipments are subject to the following general terms, provided other conditions are not specifically agreed upon in writing between us and the buyer. For all deliveries our order confirmation shall be applicable. Delivery dates shown on our order confirmations are not binding. We cannot assume any liability, claims or refunds arising from non-delivery or unforeseen delays in the completion of orders.

2. PRICES

All prices shown in our price list, in special quotations and in our order confirmations are to be understood for delivery ex works Munich without packing.

All prices are based on raw material and manufacturing costs prevailing at the time of printing of such price lists. Quotations or order confirmations are subject to change without notice. All export invoices are made out in Euro. If the invoice is paid in any other currency, the current rate of exchange of Euro is valid. Any resulting difference in currency is exclusively borne by the buyer. The same applies if, according to special demand of the buyer, the invoice is made out in foreign currency. All prices subject to change without notice.

3. PAYMENT

Export deliveries will be carried out only against sufficient documentary coverage such as letter of credit or similar means. Where shipment is made on open account our terms of payment are: net, 14 days after date of invoice. Cash discounts or other deductions are not granted. We reserve the right to supply against prepayment upon advice that the goods are ready for dispatch alternatively C.O.D. (cash on delivery) or other terms of payment or agreement.

Valid for domestic supplies and export deliveries: Amounts not paid within 14 days become automatically overdue without written notice from us, and we reserve the right, without prejudice to other rights, to charge 4% above the current discount of the Europäisches Währungsinstitut on the amount overdue.

4. RIGHT OF PROPERTY

All merchandise shall remain our property with full title until complete settlement of the invoice value is made. The buyer shall not pledge, pawn or otherwise transfer merchandise not fully paid for. Such merchandise may be disposed of only in the regular business routine of the buyer and the buyer specifically agrees to transfer irrevocably to us title to any sums due or paid to him by others for such merchandise and to hold in trust for us any moneys collected which must be paid to us without delay, up to the full amount including interests. Any distress-warrant by a third party should be notified to us by writing immediately.

5. TRANSPORTATION RISK and INSURANCE

All transportation risk is transferred to the buyer when the merchandise leaves our factory or when it is placed at buyer's disposal. In case of damage in transit, the buyer has to supply written proof. In case of damage in transit we immediately need a certified statement by the postal authorities. All other kinds of shipment require an unobjectionable proof of the damage in transit.

6. RETURNS

No merchandise may be returned to us, for any reason whatsoever, without our prior written authorization. Any authorized return must be shipped to us carefully packed and freight pre-paid. Insurance will be covered by the sender. Refurbishing and/or restocking charges may apply.

7. CLAIMS AND LIABILITY

Goods shall be inspected immediately. Obvious defects are to be reported within 10 days after receipt of goods to us in writing.

Claims to warranties for defects not reported in good time shall not be accepted. Parts sent to us for processing will be handled to the best of our ability.

However, in case of fracture or other damage to the material, should this damage be due to gross negligence on our part, we will be liable only up to the agreed processing cost of the material in question, but not for the material itself.

Our warranty will be limited to the supply value of our products. Any further liability claims - especially claims for restitutions of further damages - shall be excluded. This applies equally to claims arising from culpa in contrahendo, positive violation of claims and other legal grounds. We accept liability for the presence of guaranteed properties. When manufacture takes place according to customer's drawing, no liability whatsoever can be accepted regarding the infringement of patent rights of third parties.

8. CUSTOM-MADE MODIFICATIONS, SPECIAL INSTALLATIONS

Equipment on which special modifications were made, cannot be returned and any claims arising from a faulty operation of the equipment in such cases cannot be accepted.

9. SPECIFICATIONS, ILLUSTRATIONS AND INFORMATIONS

In view of always possible improvements or otherwise justified adjustments, it is explicitly understood that all our specifications or design features as printed or illustrated in our literature are subject to change without notice. We are not obliged to give any special information as far as alternations are concerned. We cannot be held responsible for any erratum. Any information given for equipment of sub-suppliers is absolutely not binding for us.

10. The export of our products to other countries than member countries of the E.U. is permitted only with our authorization.

11. PLACE OF FULFILLMENT AND VENUE OF JURISDICTION

Any disputes arising shall be settled by a competent court at Munich, Germany. German Law shall be applied.

12. VALIDITY

The above terms are considered agreeable as soon as an order was placed and confirmed. Terms of the purchaser are not considered binding if they are contradicting the above. In cases of disputes, the legal interpretation of the German version of these terms shall be applied.

Technical specifications, constructions and prices are subject to change without notice.



OPTISCHE, ELEKTRONISCHE,
FEINWERKTECHNISCHE
APPARATE & SYSTEME,
SONDERMASCHINEN
& PRÄZISIONS-KAMERAS

FACTORY ADDRESS

RUPERT-MAYER-STRASSE 45
81379 MÜNCHEN / GERMANY

MAILING ADDRESS

P.O.BOX 70 12 29
81312 MÜNCHEN / GERMANY

TEL. +49 89 /72 49 2 -0
FAX +49 89 /72 49 2 -250
<http://www.linhof.de>
info@linhof.de

BANK DETAILS

DRESDNER BANK AG MÜNCHEN
530 327 800 (BANK CODE 700 800 00)
RAIFFEISENBANK TEISENDORF
45 500 (BANK CODE 701 691 91)
S.W.I.F.T.: DRES DE FF 700

PRESIDENT

DIPL.-ING. PETER BAUERNSCHMID
PLACE OF FULFILLMENT AND VENUE
OF JURISDICTION MÜNCHEN
HRB NR. 122812
VAT REGISTRATION NUMBER
DE812620853

LINHOF AGENCIES IN ALL MAJOR
CITIES OF THE WORLD.

